

## **Square Floormount Tub Filler**

---

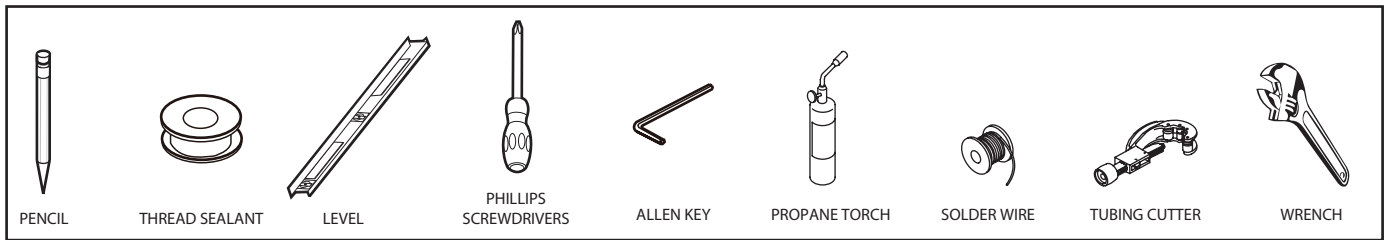
### Installation Manual



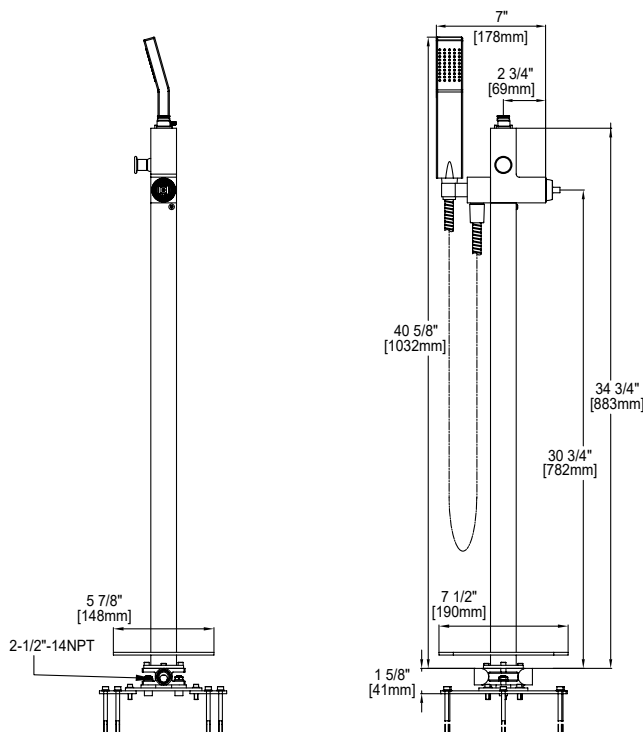
**Please read notices on following page**

---

## Materials and Tools Required

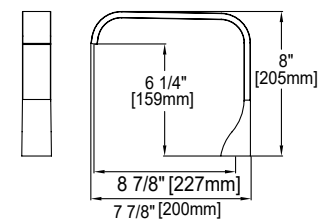


## Important Measurements

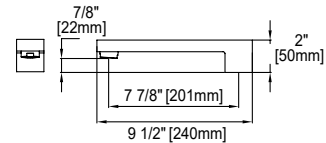


## Optional Spouts

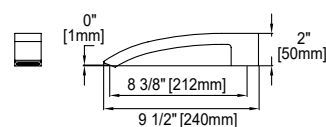
### VF4373



### VF4343



### VF4341



## GENERAL INSTRUCTIONS

- Read this guide carefully and completely before proceeding.
- It is recommended that you wear safety glasses during the installation.

## NOTICE

- For best results, we recommend that a licensed, professional plumber installs this unit.
- Please read over these instructions thoroughly before beginning installation.
- Make sure that you have all tools and supplies needed to complete the installation.
- Please check local building code.
- Keep receipts (proof of purchase and place of purchase) for this product. The receipt is required should it be necessary to request warranty parts.

## MAINTENANCE & CARE FOR YOUR VIDA PRODUCTS

- To clean your Vida faucet or accessory, when necessary, wash with a nonabrasive wet soapy cloth. Then wipe dry with a soft towel or cloth.
- Do not use any abrasive chemical or corrosive powders, detergents, window cleaners, disinfectants or any other strong cleaners on your Vida Product as they will destroy the finish and therefore void the warranty

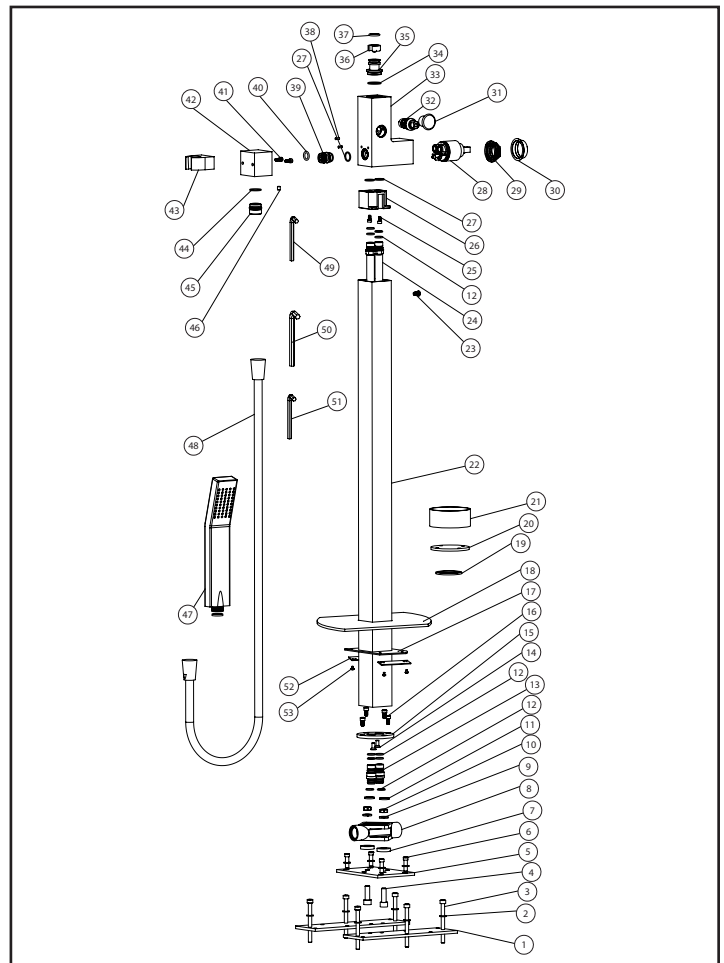
## IMPORTANT INFORMATION

- Always turn the water supply off before removing the existing faucet or disassembling a valve.
- Ensure the the water has been turned off.
- Open both faucet handles to release water pressure in lines.

## Parts List

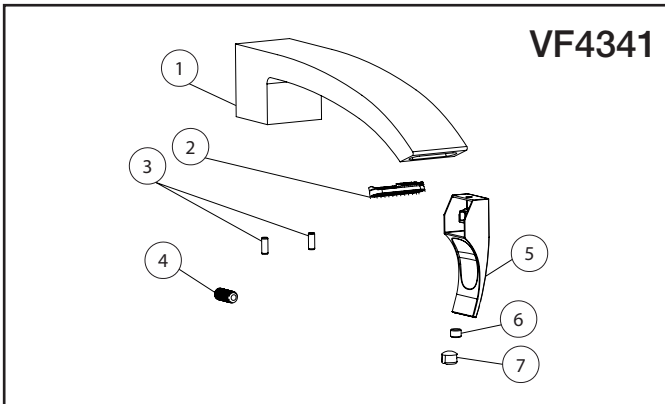
ITEM	DESCRIPTION	SKU	QTY
1	Fixing Base Plate		2
2	Tightening Ring		10
3	Socket Cap Screws		6
4	Socket Cap Screw		2
5	Base Plate		1
6	Socket Cap Screw		4
7	Washer		2
8	Inlet Connection Seat		1
9	Gasket		2
10	Hexagon Nut		2
11	Filter Washer		2
12	O-Ring		10
13	Connector		2
14	Screw		2
15	Main Body Post		1
16	Socket Cap Screw		4
17	Washer		1
18	Decorative Plate		1
19	Washer		1
20	Guard Plate		1
21	Guard Ring		1
22	Supporting Sleeve		1
23	Screw		1
24	Inlet Pipe		2
25	Socket Cap Screw		2
26	Connection Seat		1
27	O-Ring		3
28	Cartridge		1
29	Nut		1
30	Decorative Cover		1
31	Diverter Knob		1
32	Diverter Set		1
33	Main Body		1
34	O-Ring		1
35	Inner Connection Pipe		1
36	Seperator		1
37	O-Ring		1
38	Bolt		2

ITEM	DESCRIPTION	SKU	QTY
39	Connection Cone		1
40	O-Ring		1
41	Socket Cap Screw		2
42	Connection Seat		1
43	Hand Shower Hook		1
44	O-Ring		1
45	Shower Connection Nut		1
46	Fixing Screw		1
47	Handshower		1
48	Hose		1
49	Allen Key (2.5mm)		1
50	Allen Key (4.0mm)		1
51	Allen Key (5.0mm)		1
52	Screw E		2
53	Positioning Bar		4



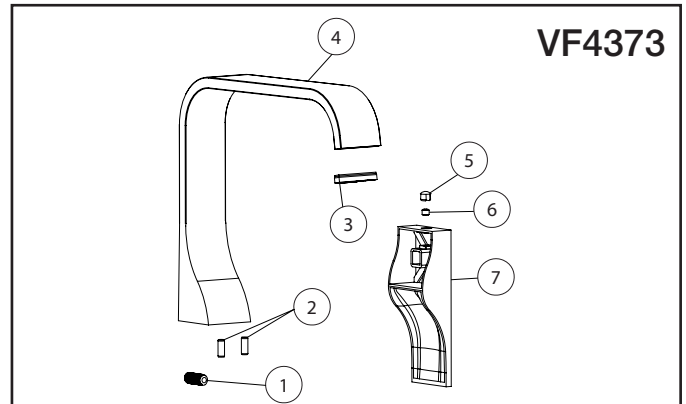
Dimensions of fixtures are approximate and may vary  $\pm 6\text{mm}$  (1/4"). Structure measurements must be verified against the unit to ensure proper fit.

## Optional Spouts and Handles



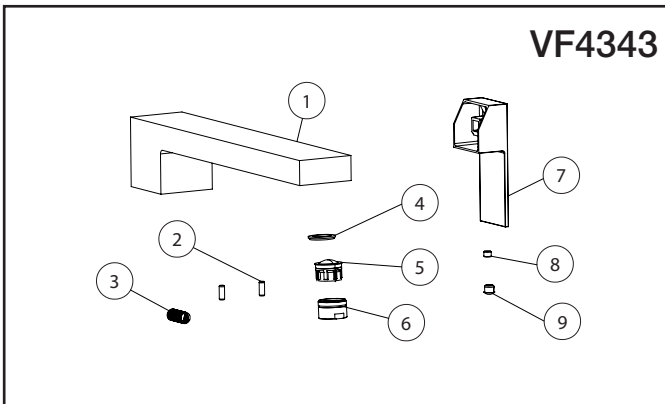
**VF4341**

ITEM	DESCRIPTION	SKU	QTY
1	Spout		1
2	Aerator		1
3	Bolt		2
4	Fixing Set Screw		1
5	Handle		1
6	Fixing Set Screw		1
7	Cover Cap		1



**VF4373**

ITEM	DESCRIPTION	SKU	QTY
1	Fixing Set Screw		1
2	Bolt		2
3	Aerator		1
4	Spout		1
5	Cover Cap		1
6	Fixing Set Screw		1
7	Handle		1

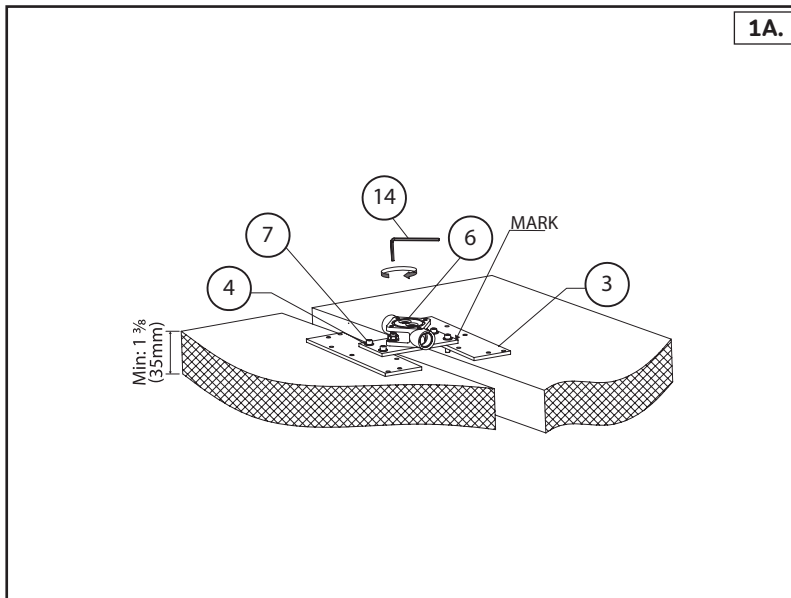


**VF4343**

ITEM	DESCRIPTION	SKU	QTY
1	Spout		1
2	Bolt		1
3	Fixing Set Screw		2
4	Filter Washer		1
5	Filter		1
6	Aerator Cover		1
7	Handle		1
8	Fixing Set Screw		1
9	Cover Cap		1

Dimensions of fixtures are approximate and may vary  $\pm 6\text{mm}$  (1/4"). Structure measurements must be verified against the unit to ensure proper fit.

## Faucet Base Installation

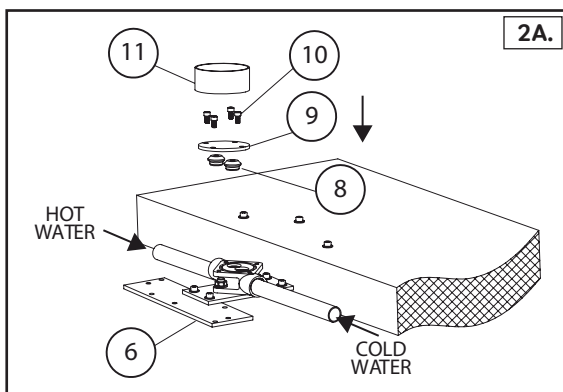
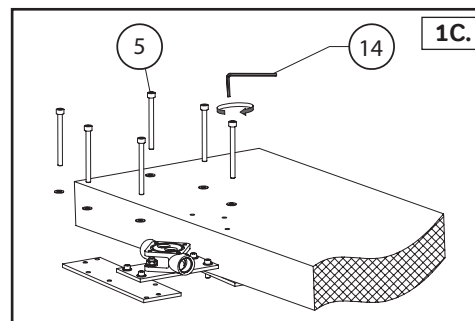
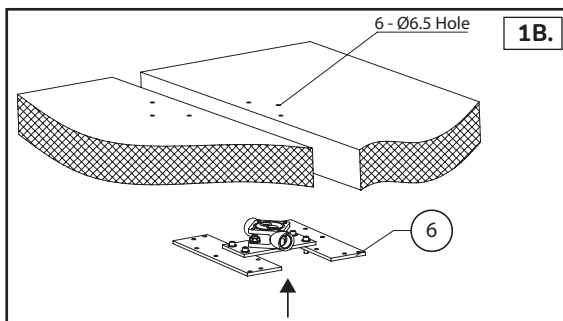


**1A.** As shown on the in **Diagram 1A**,

First use **Screw(7)** and **Gasket(4)** to screw **Installation Boards(3)** into the **Base(6)** with **Allen Key(14)**.

Then use the **Base(6)** as a framework to make a marking for drilling on the floor.

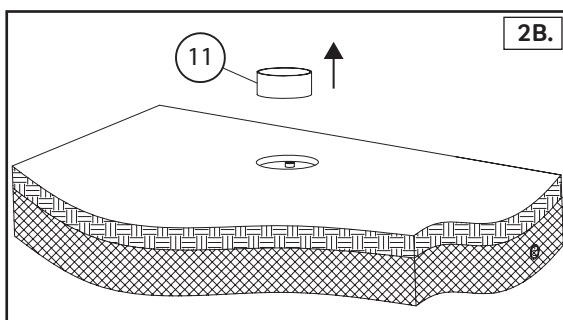
**1B.** Drill **6 -Ø6.5** holes, drive in **Screw(5)**, then fix the **Base(6)** on the floor fixing by the **Allen Key(14)**. See Diagrams 1B and 1C.



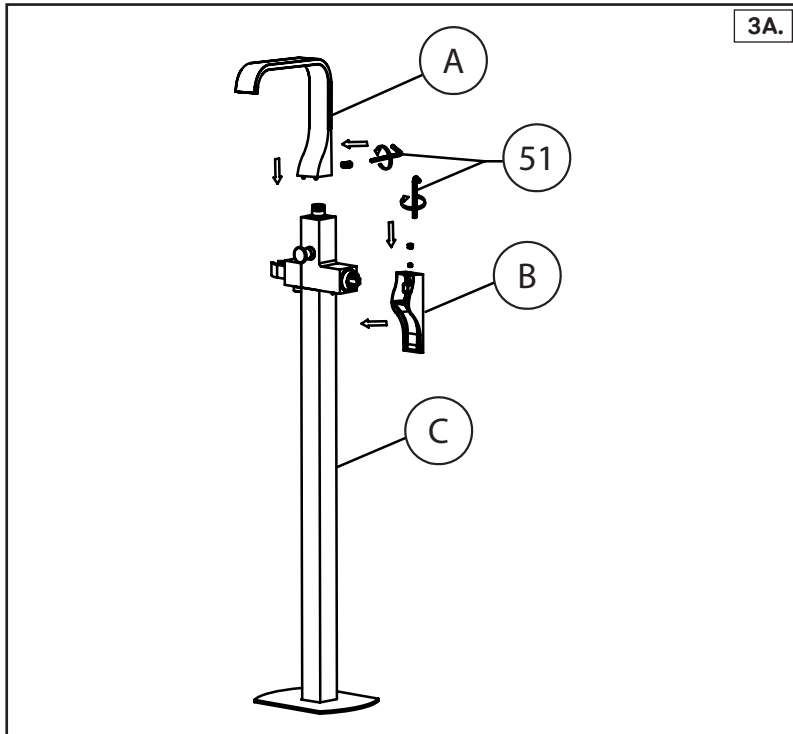
**2A.** After connecting the hot and cold supplies, install the **Washer(8)**, **Protective Board(9)** and **Screw(10)**.

Once all water connections have been made, pressurise the system to check for possible leaks.

Install **Protective Ring(11)** onto the **Base(6)**, then, as shown in **Diagrams 2A and 2B**, furnish the floor with thickness  $\geq 50\text{mm}$ . Remove the **Protective Ring(11)** when the cement is dry.



## Faucet Installation

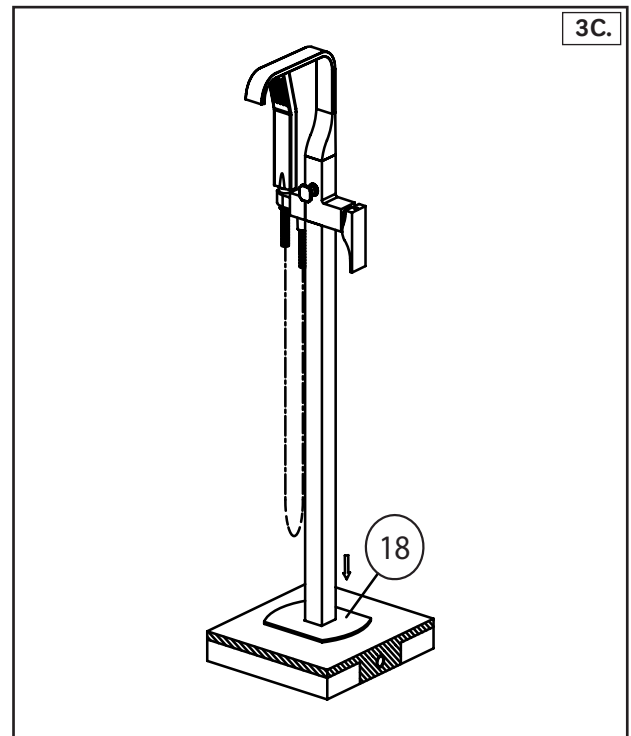
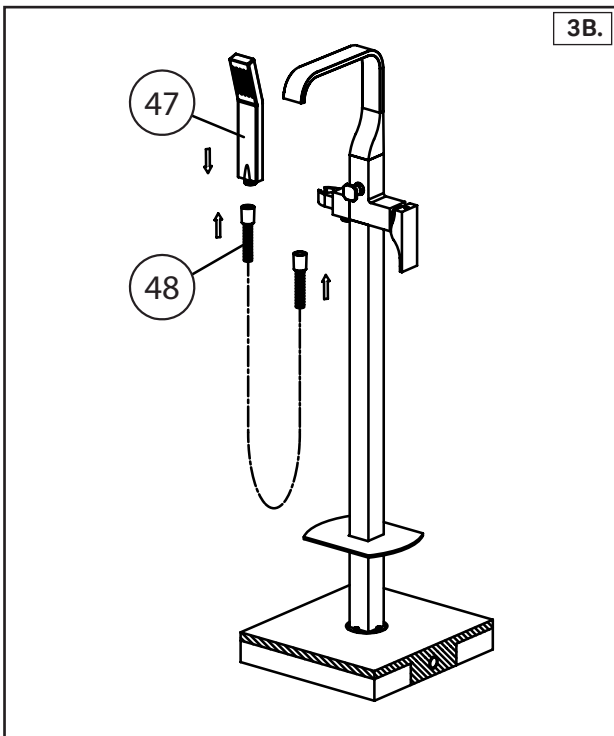


**3A.** As shown on the in **Diagram 3A**,

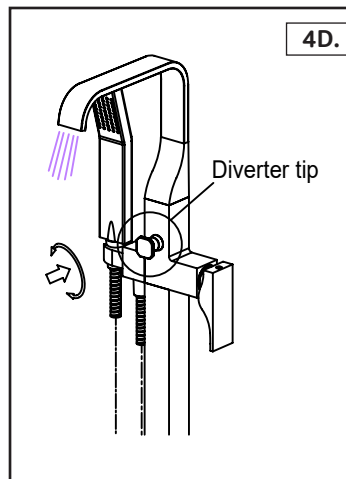
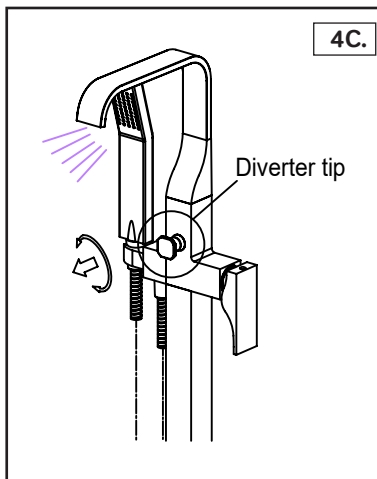
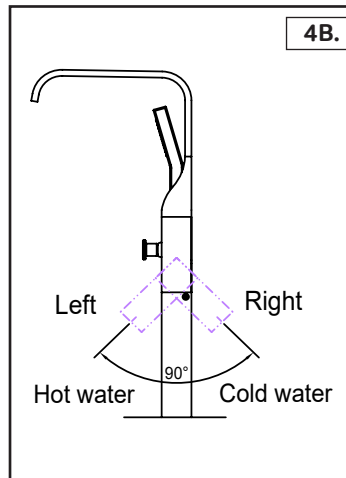
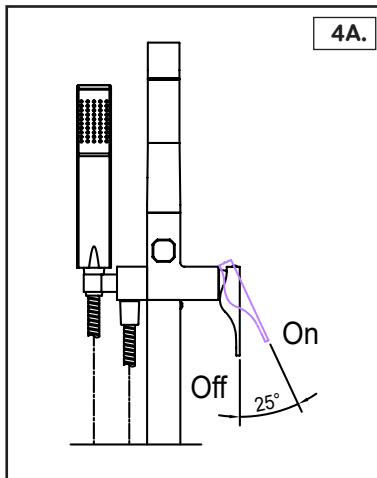
Attach the **Spout (A)** and **Handle (B)** to the **Main Body (C)** and secure it using **Allen Key (51)**.

**3B.** Connect the **Handshower (47)** and the main body with the **Shower Hose (48)**.

**3C.** Check for leakage after installation. Finally, push down the **Decorative Plate (18)** close to the floor.



## Handle Operations



### Mixer Handle Operation:

- 4A. Raise the handle lever up for turn-on water, push down to stop
- 4B. Turn the handle lever to the left for warmer water, or to the right for colder water.

### How to Operate the Mixer Handle:

- 4C. Pull-out and turn the diverter tip to switch water from the Spout to Handshower.
- 4D. Turn and push-in the diverter tip to switch water from Handshower to Spout.

## Trouble Shooting FAQ

Problem	Probable Cause	Solution
Insufficient Water Pressure	Supply Pressure Inadequate Cartridge May Be Dirty Showerhead or Handshower Filter Dirty	Check Water Pressure Clean the Filters Clean the Filter
Handle is Hard to Turn, Shower or Spout Dripping	Cartridge is Dirty or Worn Out	Clean Cartridge, Replace if Necessary