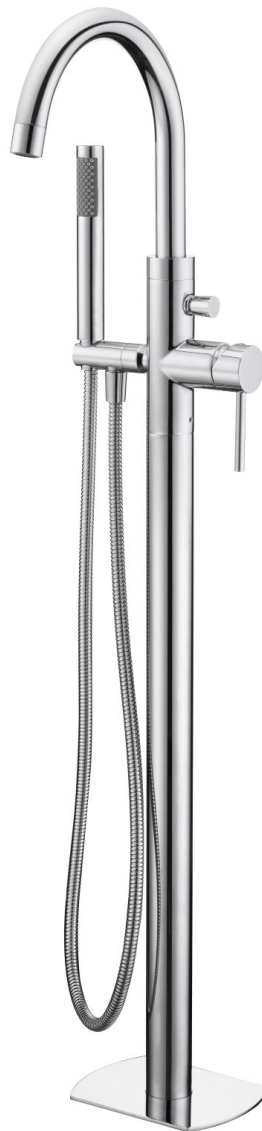


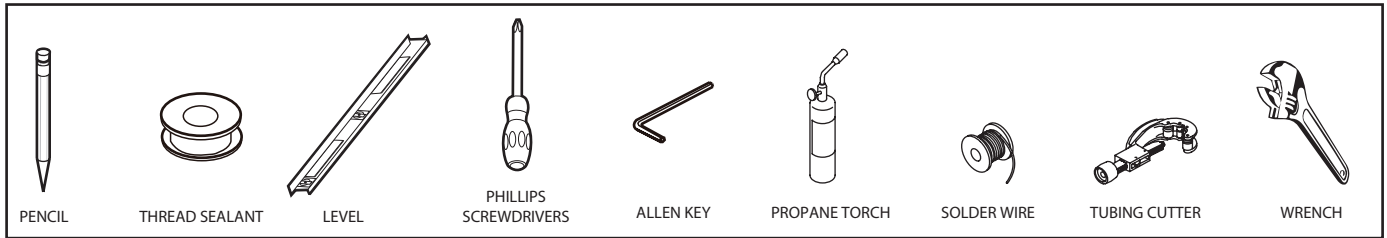
Round Floormount Tub Filler

Installation Manual

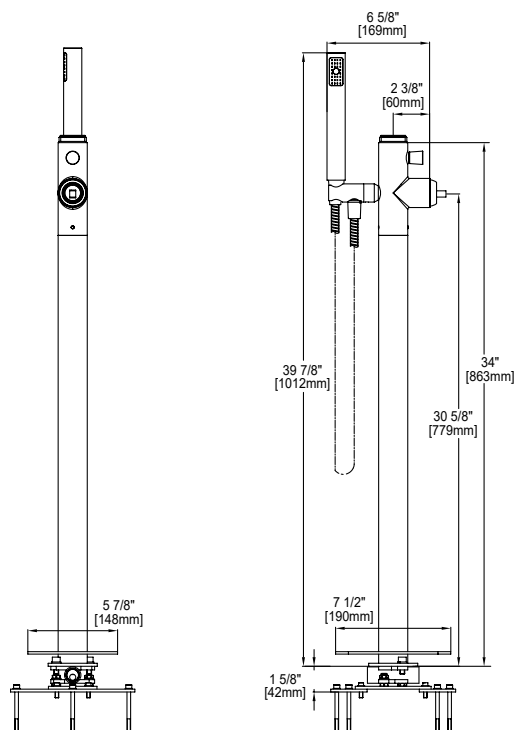


Please read notices on following page

Materials and Tools Required

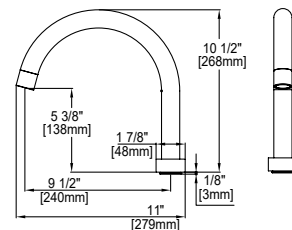


Important Measurements

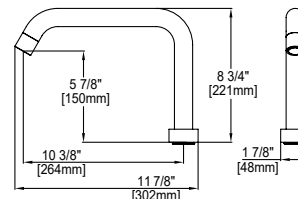


Optional Spouts

VF4573



VF4545



GENERAL INSTRUCTIONS

- Read this guide carefully and completely before proceeding.
- It is recommended that you wear safety glasses during the installation.

NOTICE

- For best results, we recommend that a licensed, professional plumber installs this unit.
- Please read over these instructions thoroughly before beginning installation.
- Make sure that you have all tools and supplies needed to complete the installation.
- Please check local building code.
- Keep receipts (proof of purchase and place of purchase) for this product. The receipt is required should it be necessary to request warranty parts.

MAINTENANCE & CARE FOR YOUR VIDA PRODUCTS

- To clean your Vida faucet or accessory, when necessary, wash with a nonabrasive wet soapy cloth. Then wipe dry with a soft towel or cloth.
- Do not use any abrasive chemical or corrosive powders, detergents, window cleaners, disinfectants or any other strong cleaners on your Vida Product as they will destroy the finish and therefore void the warranty

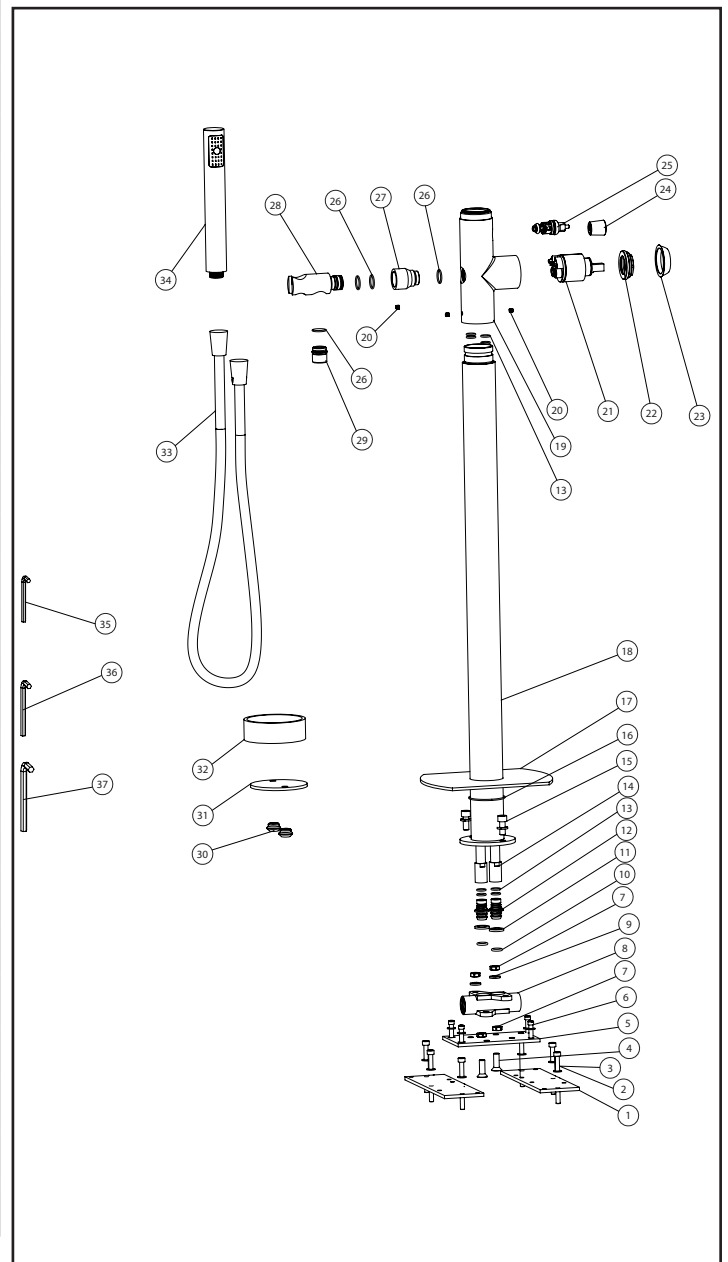
IMPORTANT INFORMATION

- Always turn the water supply off before removing the existing faucet or disassembling a valve.
- Ensure the the water has been turned off.
- Open both faucet handles to release water pressure in lines.

Parts List

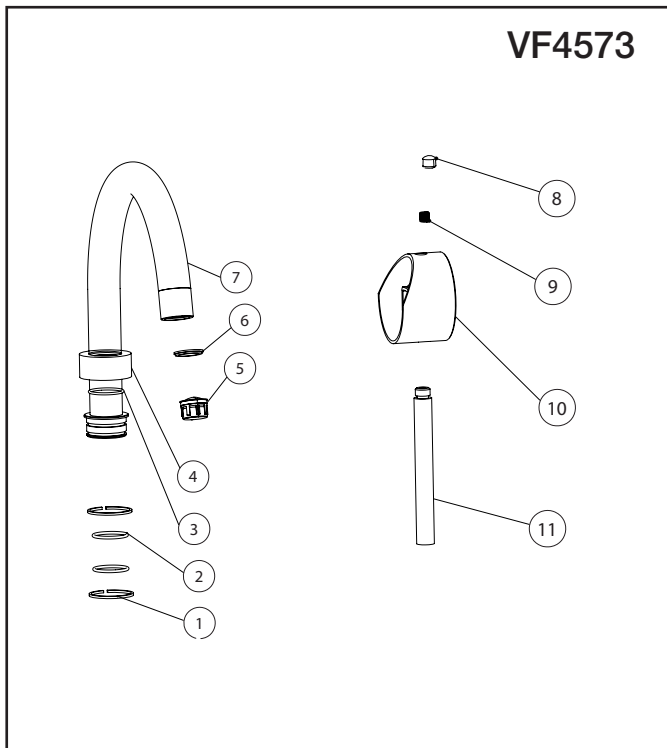
ITEM	DESCRIPTION	SKU	QTY
1	Fixing Base Plate		2
2	Socket Cap Screw		6
3	Tightening Ring		10
4	Screw		2
5	Base		1
6	Socket Cap Screw		4
7	Hexagon Nut		4
8	Inlet Connection Seat		1
9	Washer		4
10	O-Ring		2
11	Filter Washer		2
12	Connector		2
13	O-Ring		8
14	Inlet Pipe		2
15	Socket Cap Screw		2
16	O-Ring		1
17	Decorative Plate		1
18	Main Body Post		1
19	Main Body		1
20	Fixing Set Screw		3
21	Cartridge		1
22	Retaining Nut		1
23	Decorative Cover		1
24	Diverter Knob		1
25	Diverter Set		1
26	O-Ring		4
27	Connection Seat		1
28	Hand Shower Hook		1
29	Shower Connection Nut		1
30	Plug		2
31	Guard Plate		1
32	Guard Ring		1

ITEM	DESCRIPTION	SKU	QTY
33	Shower Hose		1
34	Handshower		1
35	Allen Key (2.5mm)		1
36	Allen Key (4.0mm)		1
37	Allen Key (5.0mm)		1

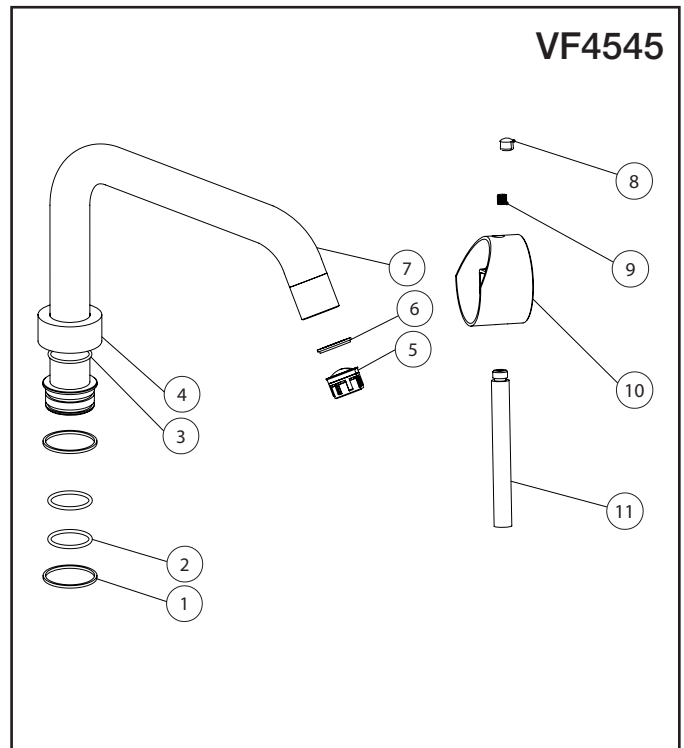


Dimensions of fixtures are approximate and may vary $\pm 6\text{mm}$ (1/4"). Structure measurements must be verified against the unit to ensure proper fit.

Optional Spout and Included Handle



ITEM	DESCRIPTION	SKU	QTY
1	Washer		2
2	O-Ring		2
3	O-Ring		1
4	Nut		1
5	Filter		1
6	Filter Washer		1
7	Spout		1
8	Cover		1
9	Fixing Screw		1
10	Handle Seat		1
11	Handle Leaver		1

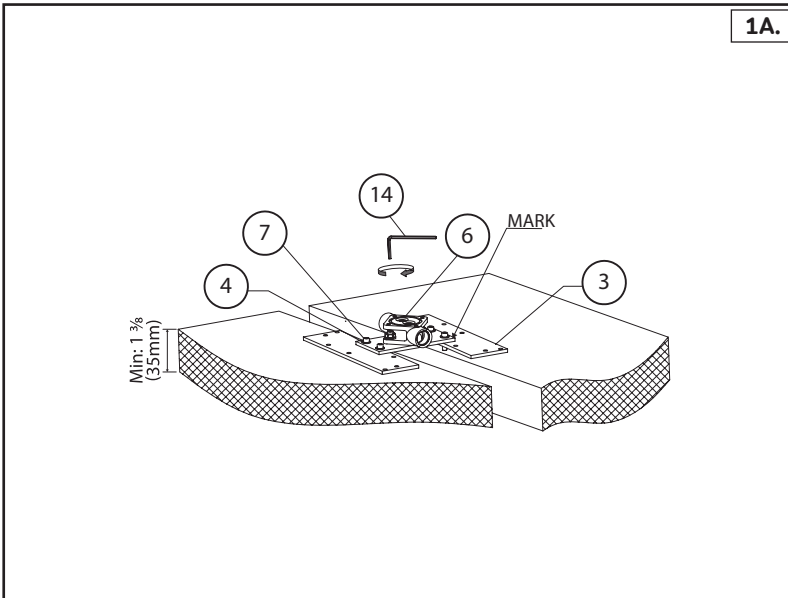


ITEM	DESCRIPTION	SKU	QTY
1	Washer		2
2	O-Ring		2
3	O-Ring		1
4	Nut		1
5	Filter		1
6	Filter Washer		1
7	Spout		1
8	Cover		1
9	Fixing Screw		1
10	Handle Seat		1
11	Handle Leaver		1

Dimensions of fixtures are approximate and may vary $\pm 6\text{mm}$ (1/4"). Structure measurements must be verified against the unit to ensure proper fit.

Product images and specifications are for illustrative purposes only, product design may vary.
 Dimensions of fixtures are approximate and may vary $\pm 6\text{mm}$ (1/4"). Structure measurements must be verified against the unit to ensure proper fit.

Faucet Base Installation



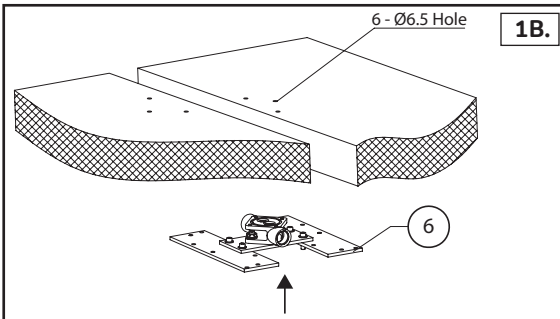
1A.

1A. As shown on the in **Diagram 1A**,

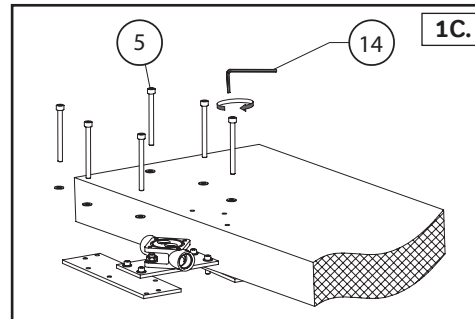
First use **Screw(7)** and **Gasket(4)** to screw **Installation Boards(3)** into the **Base(6)** with **Allen Key(14)**.

Then use the **Base(6)** as a framework to make a marking for drilling on the floor.

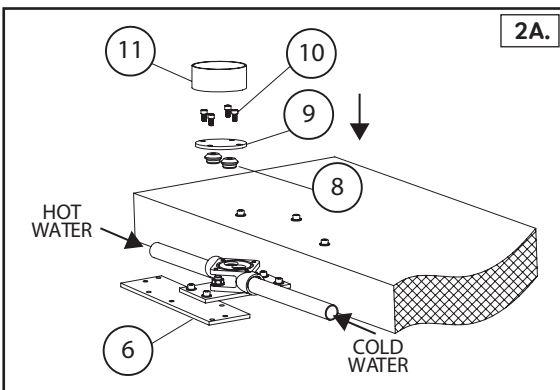
1B. Drill **6 -Ø6.5** holes, drive in **Screw(5)** and **Gasket(4)**, then fix the **Base(6)** on the floor fixing by the **Allen Key(14)**. See Diagrams 1B and 1C.



1B.



1C.

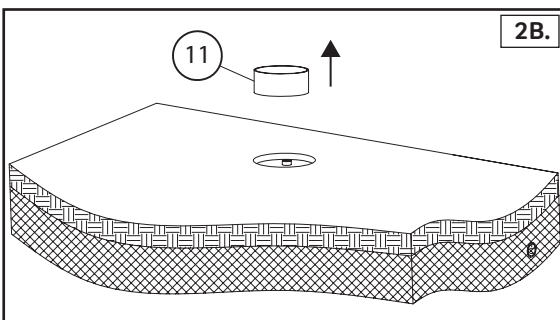


2A.

2A. After connecting the hot and cold supplies, install the **Washer(8)**, **Protective Board(9)** and **Screw(10)**.

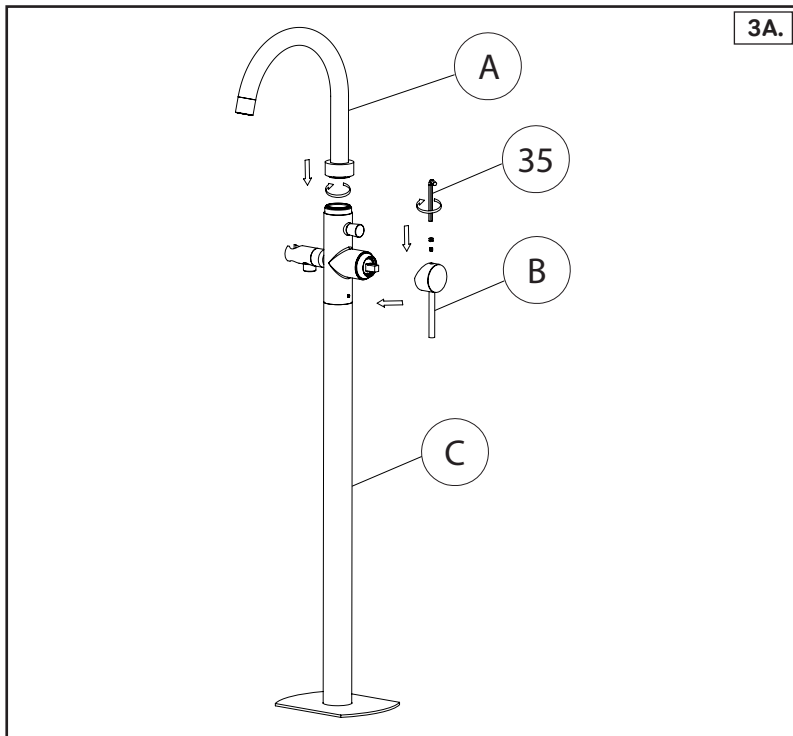
Once all water connections have been made, pressurise the system to check for possible leaks.

Install **Protective Ring(11)** onto the **Base(6)**, then, as shown in **Diagrams 2A and 2B**, furnish the floor with thickness $\geq 50\text{mm}$. Remove the **Protective Ring(11)** when the cement is dry.



2B.

Faucet Installation

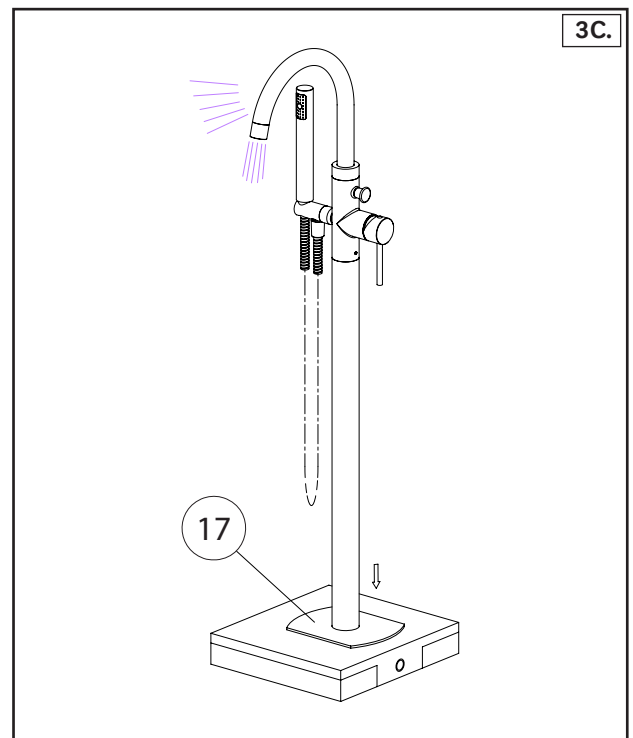
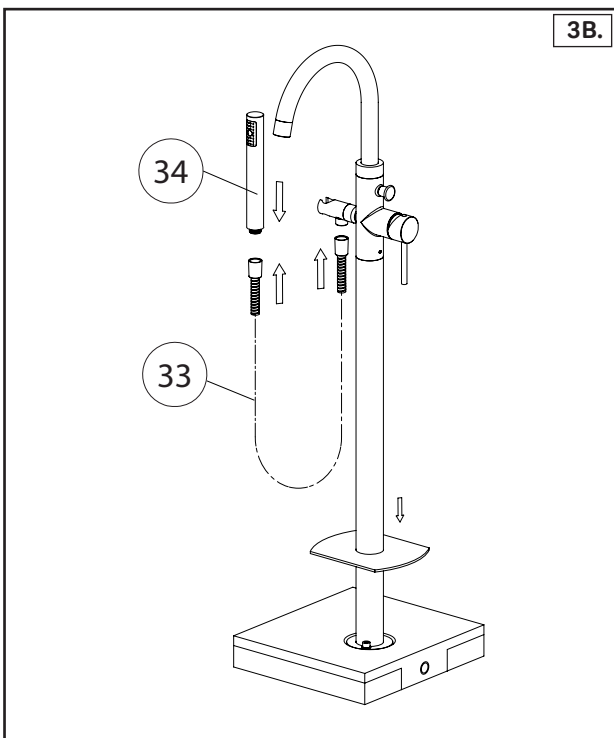


3A. As shown on the in **Diagram 3A**,

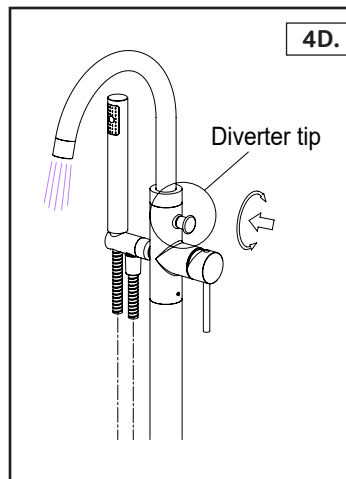
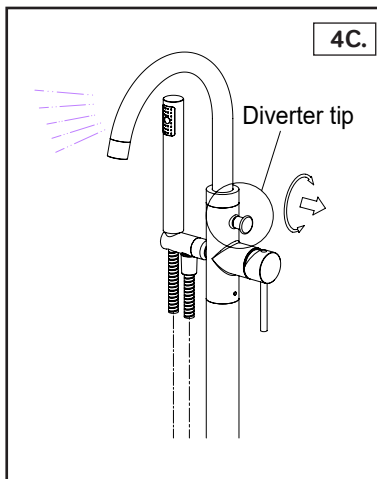
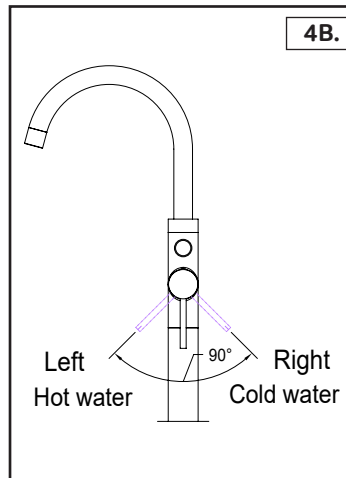
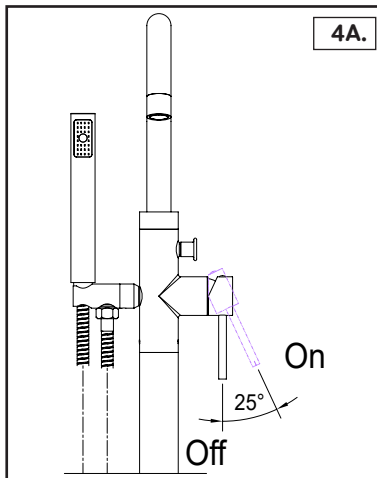
Attach the **Spout (A)** and **Handle (B)** to the **Main Body (C)** and secure it.

3B. Connect the **Handshower (34)** and the main body with the **Shower Hose (33)**.

3C. Check for leakage after installation. Finally, push down the **Decorative Plate (17)** close to the floor.



Handle Operations



Mixer Handle Operation:

- 4A. Raise the handle lever up for turn-on water, push down to stop
- 4B. Turn the handle lever to the left for warmer water, or to the right for colder water.

How to Operate the Mixer Handle:

- 4C. Pull-out and turn the diverter tip to switch water from the Spout to Handshower.
- 4D. Turn and push-in the diverter tip to switch water from Handshower to Spout.

Trouble Shooting FAQ

Problem	Probable Cause	Solution
Insufficient Water Pressure	Supply Pressure Inadequate	Check Water Pressure
	Cartridge May Be Dirty	Clean the Filters
	Showerhead or Handshower Filter Dirty	Clean the Filter
Handle is Hard to Turn, Shower or Spout Dripping	Cartridge is Dirty or Worn Out	Clean Cartridge, Replace if Necessary