

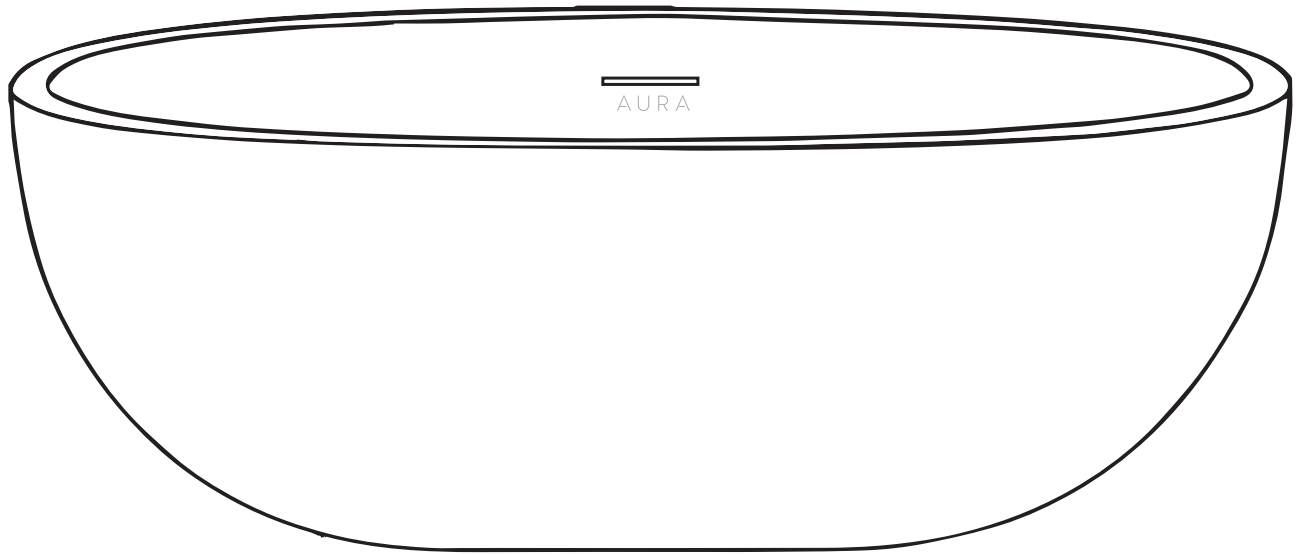
AURA

Installation Manual

Models: Freestanding Bathtubs
Bathtub

Aura Freestanding Bathtub

Installation Manual

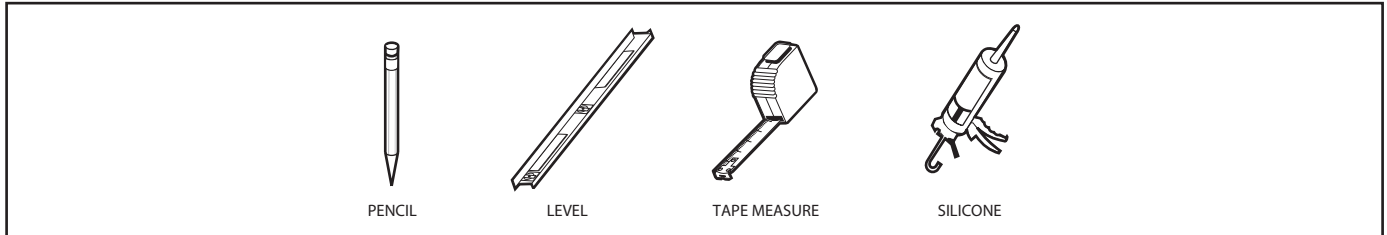


**TWO PERSONS
REQUIRED**

Please read notices on following page

PRODUCT SPECIFICATIONS ARE SUBJECT TO CHANGE WITHOUT NOTICE.
Dimensions of fixtures are approximate and may vary $\pm 6\text{mm}$ (1/4"). Structure measurements must be verified against the unit to ensure proper fit.

Materials and Tools Required



GENERAL INSTRUCTIONS

- Read this guide carefully and completely before proceeding.
- It is recommended that you wear safety glasses during the installation.

NOTICE

- For best results, we recommend that a licensed, professional plumber installs this unit.
- Please read over these instructions thoroughly before beginning installation.
- Make sure that you have all tools and supplies needed to complete the installation.
- Please check local building code.
- Keep receipts (proof of purchase and place of purchase) for this product. The receipt is required should it be necessary to request warranty parts.

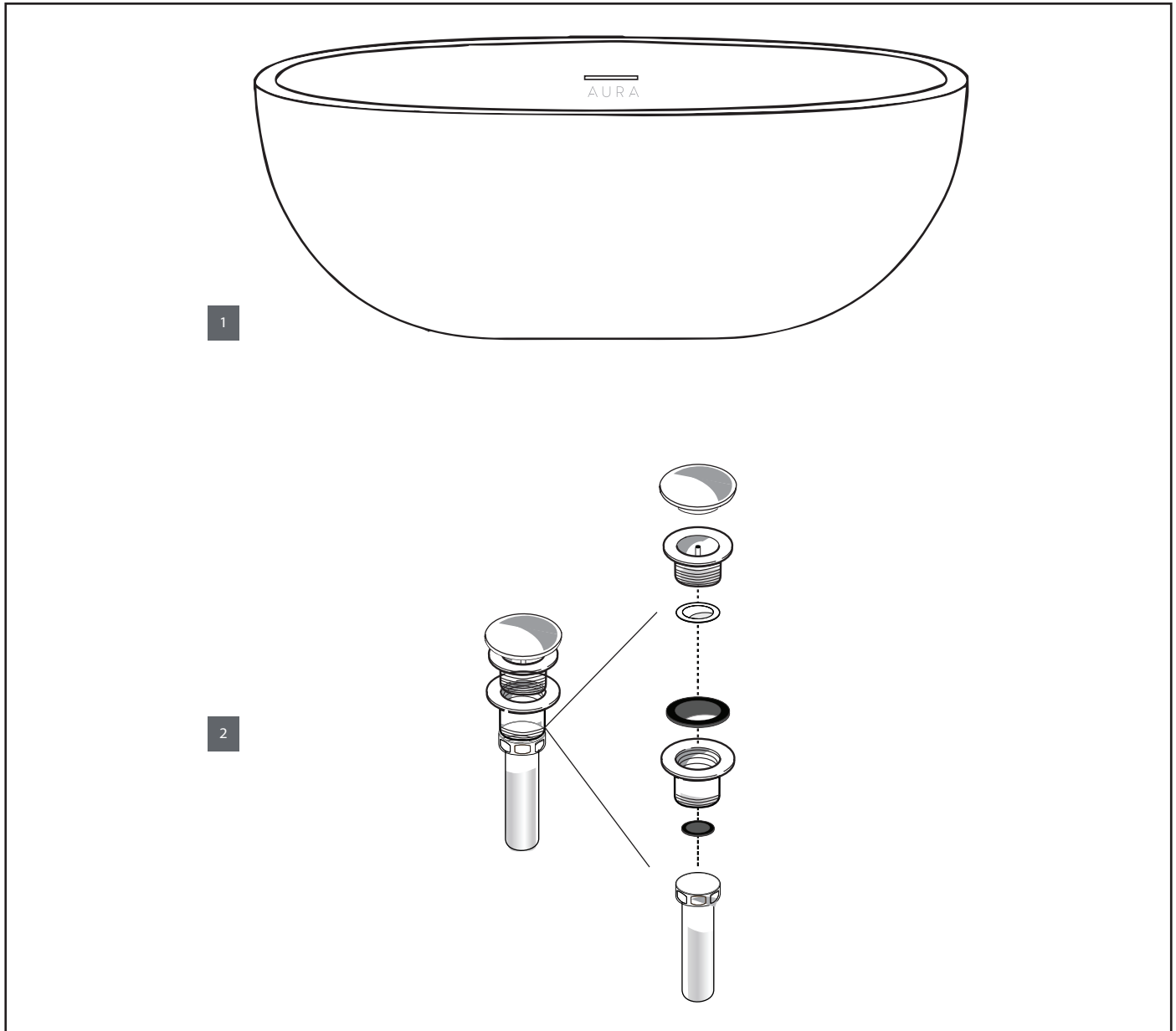
MAINTENANCE & CARE FOR YOUR AURA PRODUCTS

- To clean your faucet or accessory, when necessary, wash with a nonabrasive wet soapy cloth. Then wipe dry with a soft towel or cloth.
- Do not use any abrasive chemical or corrosive powders, detergents, window cleaners, disinfectants or any other strong cleaners on your Product as they will destroy the finish and therefore void the warranty

REMOVAL OF FAUCET

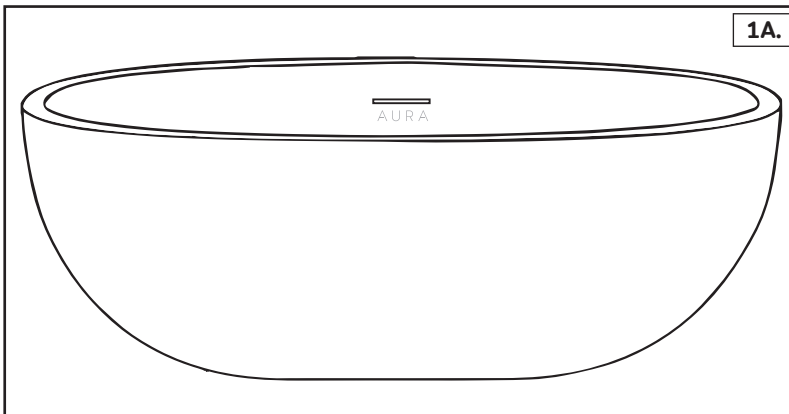
- Ensure the water has been turned off

Parts List



ITEM	DESCRIPTION	SKU	QTY
1	Freestanding Bathtub		1
2	ATO140 Drain (Not Included)		0
3			
4			
5			

Preparation

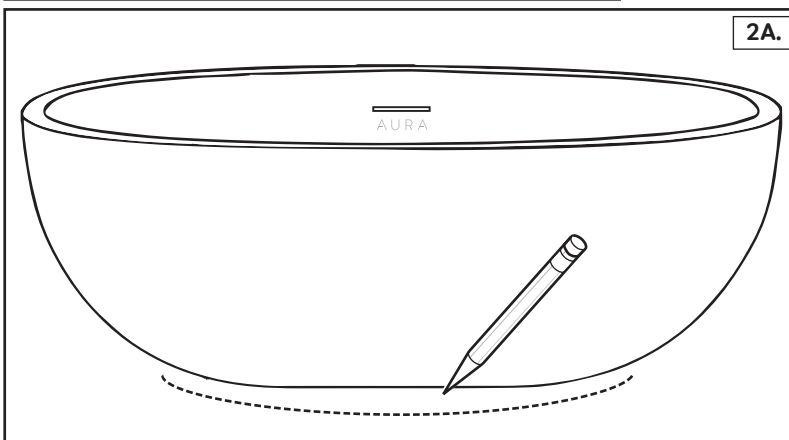


ATTENTION!
REMOVE ANY OBSTRUCTIONS

1A. Installation area should be cleaned.

Use a spirit level to ensure the ground area is level for the bathtub.

Positioning Bathtub



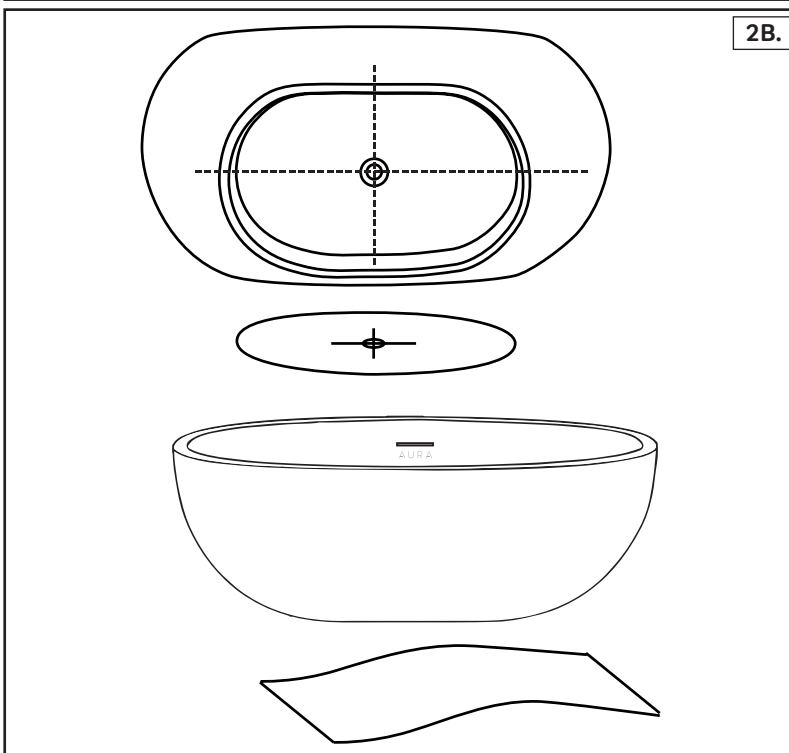
2A. Place the freestanding bathtub in the exact location desired.

THIS WILL BE THE INSTALLED POSITION ON THE FLOOR

Then trace the outline of the freestanding bathtub with a pencil or any marking that is erasable.

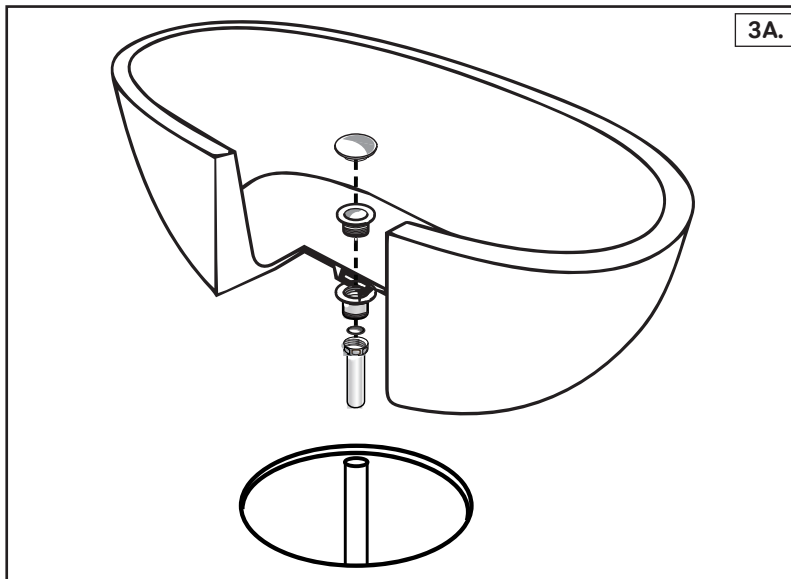
2B. Using a drop cloth, cardboard or any smooth protective surface, turn the freestanding bathtub on its side so that the unit is supported during drain installation.

Note: Drain, waste locations and trim options vary by model.



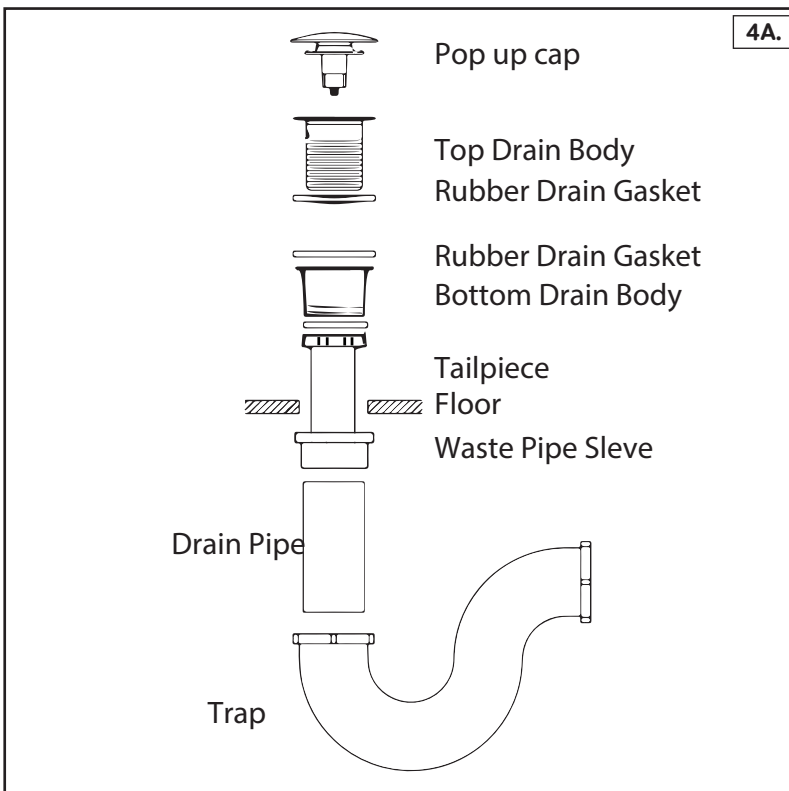
2B.

Positioning Drain Assembly



- 3A.** Attach the drain body nut on the drain body and tighten until the nut and washer have created a seal with the bottom of the bathtub.

Preparation of Drain Tail Piece



4A. Waste drain pipe must always be installed agreeing to local by/laws and standard. Check and confirm the placement of the bathtub before drilling the hole for the waste drain pipe.

Install 1 1/2" rubber slip gasket over the drain waste vent.

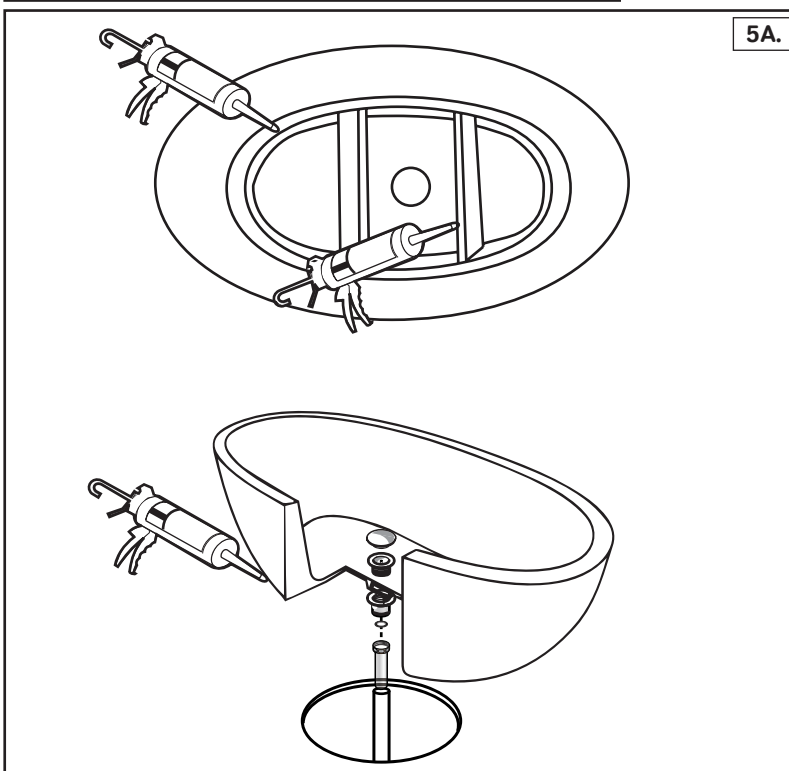
Cut tail piece to desired length (will need to adjust for each installation).

Slide the nut over the tail piece towards flanged end.

Connect the tail piece assembly to waste vent.

Place flange washer on top of tail piece.

Positioning Bathtub



5A. Apply a sufficient amount of adhesive or silicone to the bottom of the tub.

Carefully set tub into position and connect the drain. Finish the installation of the tail -piece installation.

Once bathtub is set into place, apply silicone or caulk around the edge of the base.