



TRILLIUM

Alcove Bathtub

ATATRI6030TR-10



Installation Manual

Please read notices on following page



**TWO PERSONS
REQUIRED**

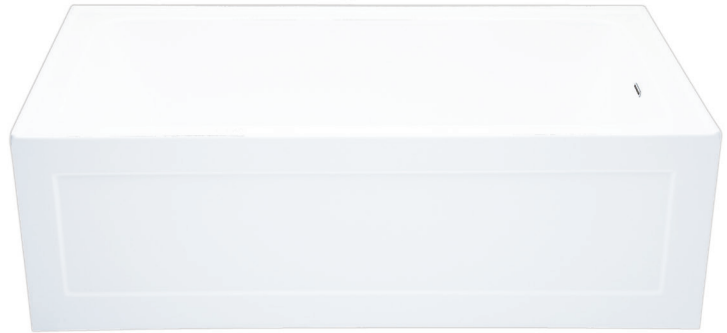
Dimensions of fixtures are approximate and may vary $\pm 6\text{mm}$ (1/4"). Structure measurements must be verified against the unit to ensure proper fit.
PRODUCT SPECIFICATIONS ARE SUBJECT TO CHANGE WITHOUT NOTICE.



TRILLIUM

Alcove Bathtub

ATATRI6030TR-10



DESCRIPTION

- Modern, Built-in Bathtub
- Made From Double Layer Acrylic
- Features Single Backrest
- Integrated Overflow

DIMENSIONS

- Width: 59 ³/₄"
- Depth: 32"
- Height: 19 ¹/₂"

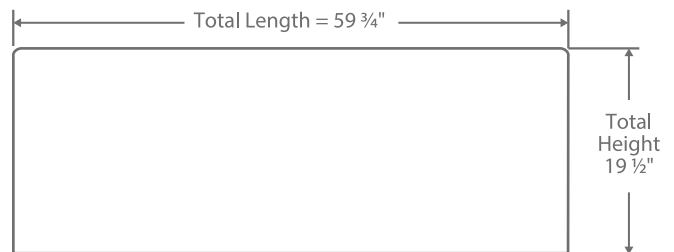
AVAILABLE FINISHES

- **10**: White

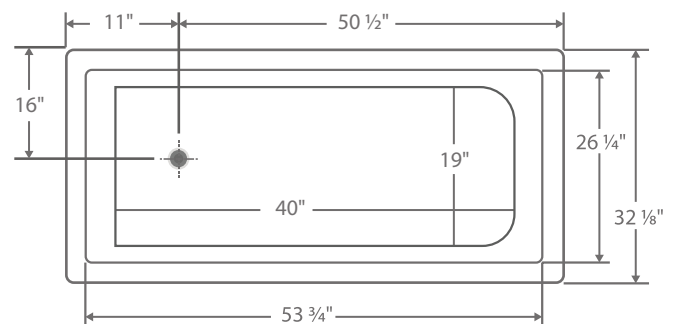
ADDITIONAL NOTES

- End Drain (Left side or Right)
- Recommended Drain: A110-10
- High Gloss Finish

SIDE VIEW



TOP VIEW





TRILLIUM

Alcove Bathtub

ATATRI6030TR-10

MATERIALS AND TOOLS REQUIRED

GENERAL INSTRUCTIONS

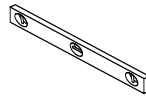
- Read this guide carefully and completely before proceeding.
- It is recommended that you wear safety glasses during the installation.

NOTICE

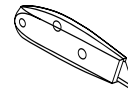
- For best results, we recommend that a licensed, professional plumber installs this unit.
- Please read over these instructions thoroughly before beginning installation.
- Make sure that you have all tools and supplies needed to complete the installation.
- Please check local building code.
- Keep receipts (proof of purchase and place of purchase) for this product. The receipt is required should it be necessary to request warranty parts.

MAINTENANCE & CARE

- For best results, we recommend that a licensed, professional plumber installs this unit.
- Do not use any abrasive chemical or corrosive powders, detergents, window cleans, disinfectants or any other strong cleaners on your product as they will destroy the finished and therefore void the warranty.



Level



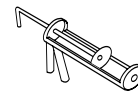
Utility Knife



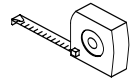
Round Head Screws 1 1/4"



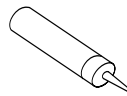
Drill



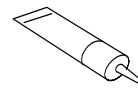
Caulking Gun



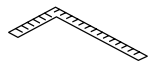
Tape Measure



Adhesive



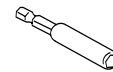
Sealant



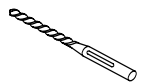
Square



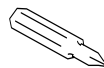
V-notched Trowel (1/4")



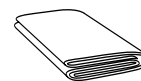
Extension Bit Holder



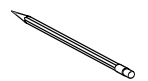
Drill Bit 3/16"



Phillips Bit



Drop Cloth



Pencil



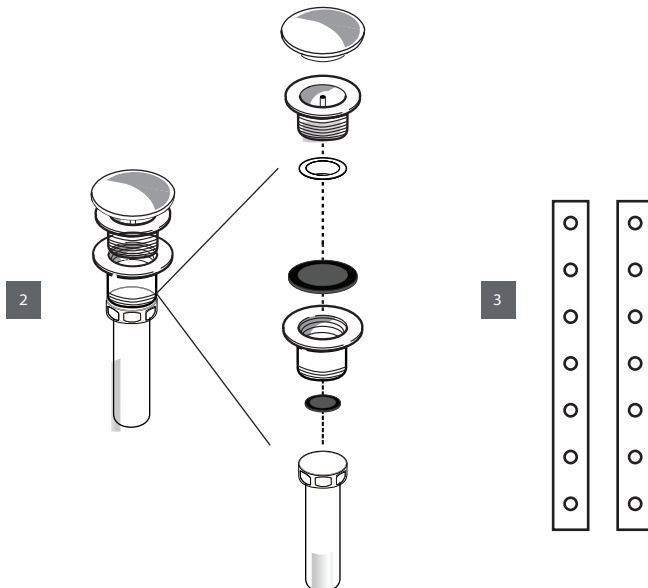
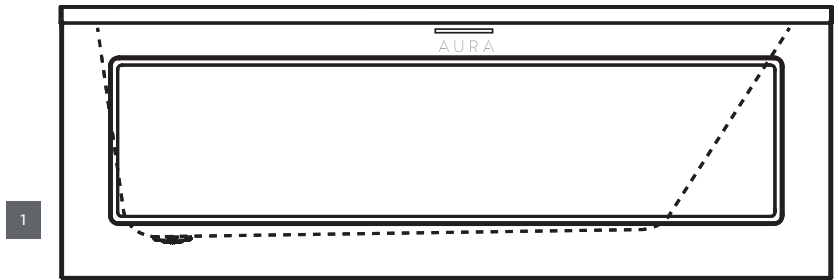
TRILLIUM

Alcove Bathtub

ATATRI6030TR-10

ITEM	DESCRIPTION	SKU	QTY
1	Bathtub		1
2	ATO140 Drain (Not Included)		0
3	Metal Strap		2
4			
5			

PARTS LIST





TRILLIUM

Alcove Bathtub

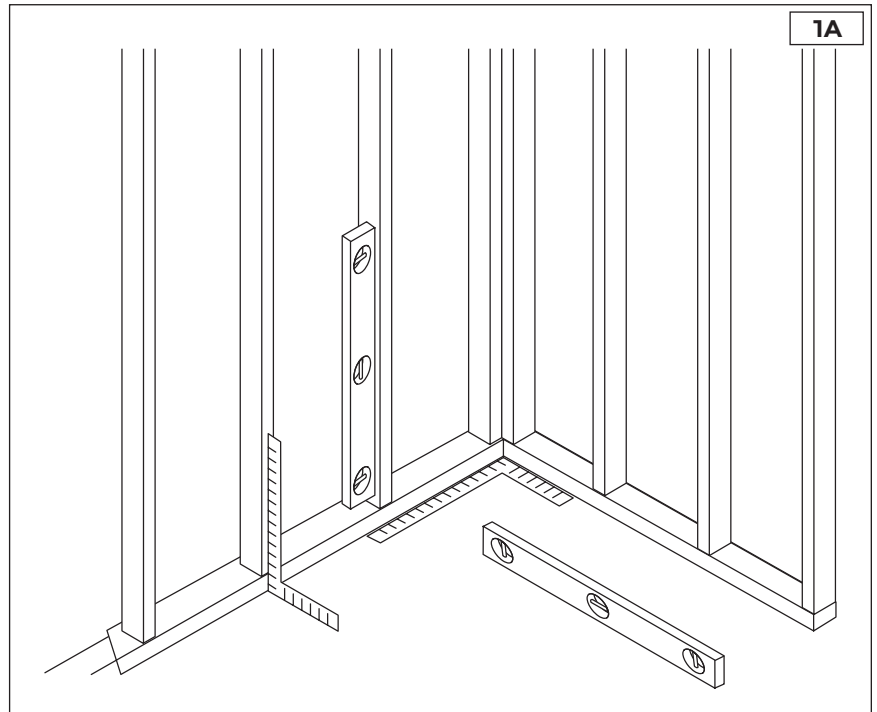
ATATRI6030TR-10

ATTENTION!

REMOVE ANY OBSTRUCTIONS

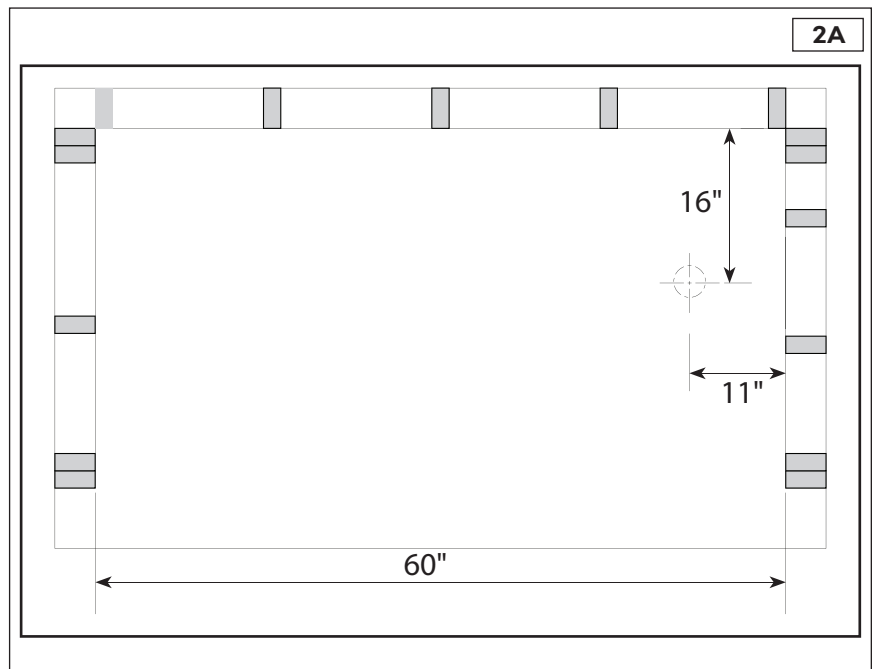
PREPARATION

1A. Make sure the studs are straight and square



POSITIONING BATHTUB

2A. After carefully verifying the drain location, drill the drain hole.



ATTENTION!

Pictures for reference only. For actual measurements, refer to the product's specification sheet.



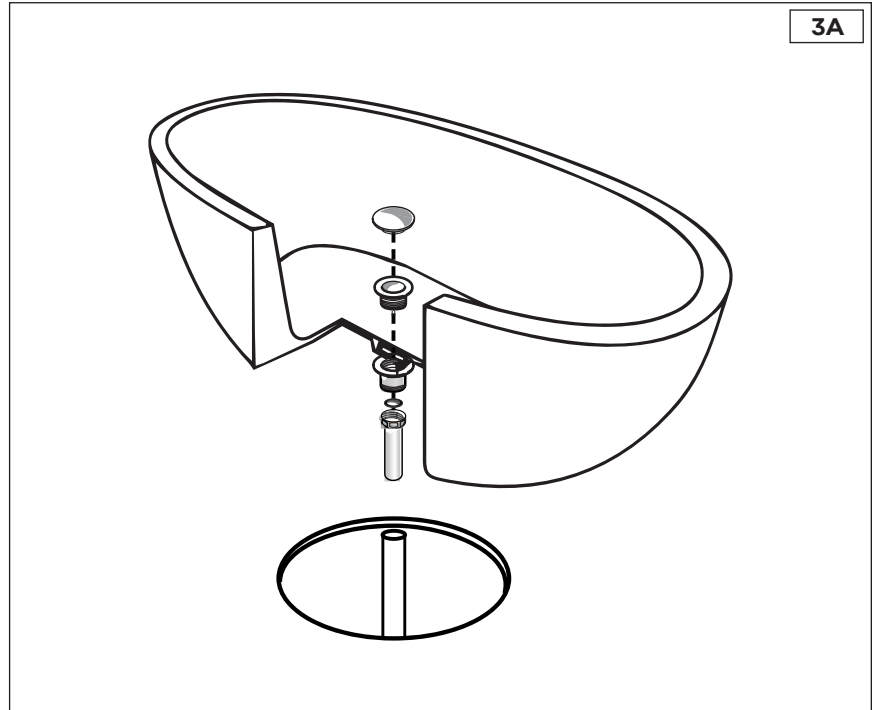
TRILLIUM

Alcove Bathtub

ATATRI6030TR-10

POSITIONING DRAIN ASSEMBY

- 3A.** Attach the drain body nut on the drain body and tighten until the nut and washer have created a seal with the bottom of the bathtub.





TRILLIUM

Alcove Bathtub

ATATRI6030TR-10

PREPARATION OF DRAIN TAIL PIECE

4A. Waste drain pipe must always be installed agreeing to local by/laws and standard. Check and confirm the placement of the bathtub before drilling the hole for the waste drain pipe.

Install 1 1/2" rubber slip gasket over the drain waste vent.

Cut tail piece to desired length (will need to adjust for each installation).

Slide the nut over the tail piece towards flanged end.

Connect the tail piece assembly to waste vent.

Place flange washer on top of tail piece.

POSITIONING BATHTUB

5A. Apply a sufficient amount of adhesive or silicone to the bottom of the tub.

Carefully set tub into position and connect the drain. Finish the installation of the tail -piece installation.

Once bathtub is set into place, apply silicone or caulk around the edge of the base.

