

Plato Floormount Vanity

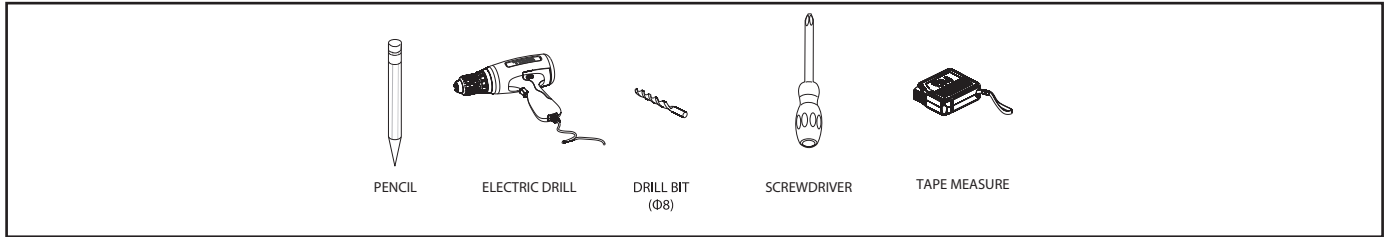
Installation Manual



**TWO PERSONS
REQUIRED**

Please read notices on following page

Materials and Tools Required



GENERAL INSTRUCTIONS

- Read this guide carefully and completely before proceeding, and it is recommended that you wear safety glasses during the installation.

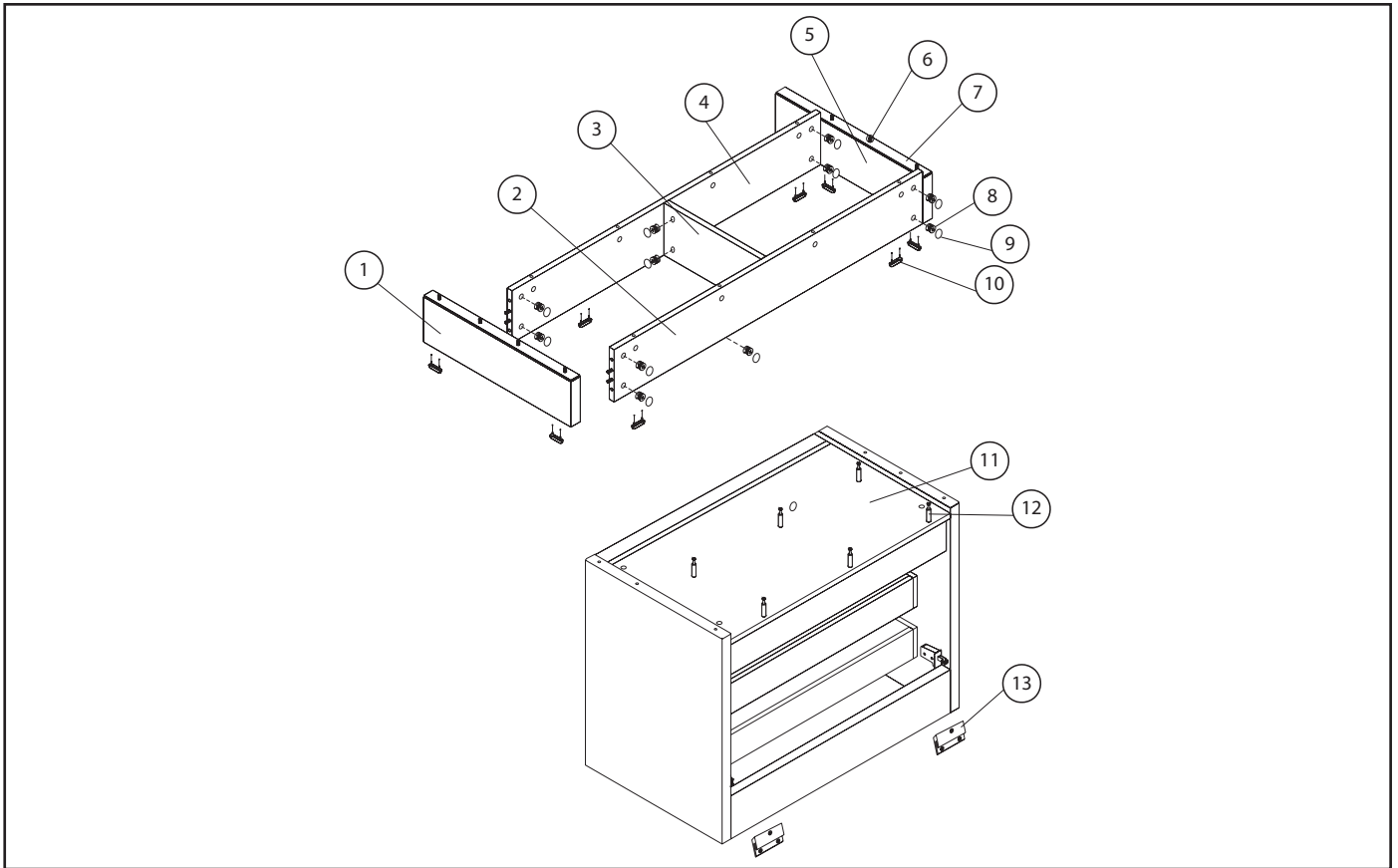
NOTICE

- For best results, we recommend that a licensed, professional plumber installs this unit.
- Make sure that you have all tools and supplies needed to complete the installation.
- Please check local building code.
- Do not disassemble the main body, as it has been installed & commissioned correctly & precisely before leaving the factory.
- Keep receipts (proof of purchase and place of purchase) for this product. The receipt is required should it be necessary to request warranty parts.

MAINTENANCE & CARE FOR YOUR AURA PRODUCTS

- Do not use any abrasive chemical or corrosive powders, detergents, window cleaners, disinfectants or any other strong cleaners on your Product as they will destroy the finish and therefore void the warranty

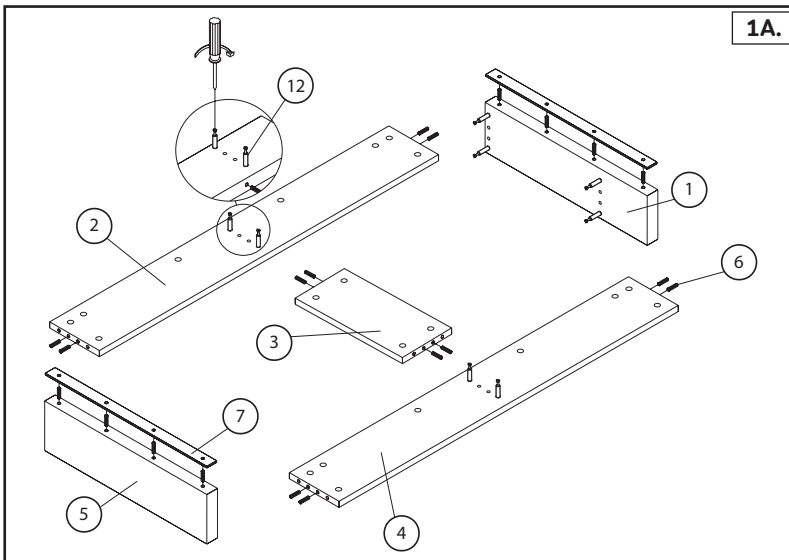
Parts List



ITEM	DESCRIPTION	SKU	QTY
1	Right Plate - D1		1
2	Back Plate - D2		1
3	Inside Plate - D3		1
4	Front Plate - D4		1
5	Left Plate - D5		1
6	Wooden Peg		20
7	Chrome Trim		20
8	Fasten Screw		20
9	Screw Cap		20
10	Floor Protector		8
11	Vanity Base		1
12	Pegged Connector		20
13	Wall Bracket		4

ITEM	DESCRIPTION	SKU	QTY
14			
15			
16			
17			
18			
19			
20			
21			
22			
23			
24			
25			
26			

Kickplate Installation



- 1A.** Arrange the kickplate pieces in order with **Back Plate (2)** towards the wall the **Right Plate (1)** to the right of the **Back Plate (2)** and the **Left Plate (5)** adjacent on the other side.

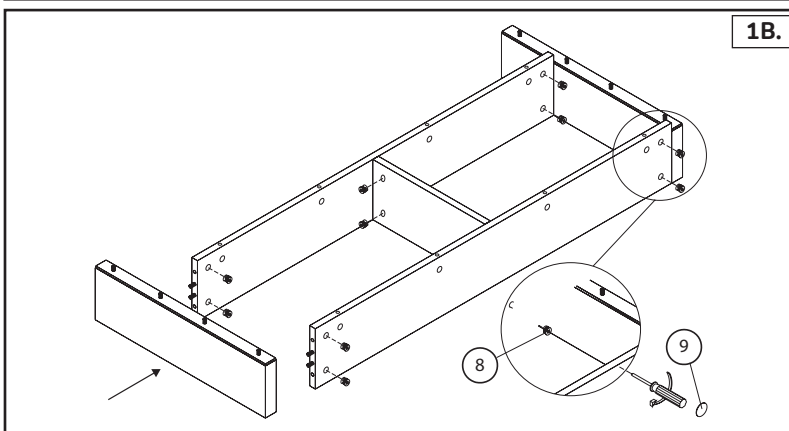
Place the **Front Plate (4)** and the **Inside Plate (3)** as shown in the **Diagram 1**.

Screw in **Pegged Connectors (12)** in each designated spot. Four in both the **Left Plate (5)** and **Right Plate (1)** in the outside predrilled holes. Screw two in both the **Back Plate (2)** and the **Front Plate (4)** in the predrilled holes in the middle of the board.

Ensure that the **Pegged Connectors (12)** are screwed in the outside designated holes as the smaller holes are designated for the **Wooden Peg (6)**.

For each plate and place two **Pegged Connectors (12)** within the inside holes predrilled as shown in **Diagram 1A**.

Take both **Chrome Trim (7)** and slide them atop the **Left Plate (5)** and **Right Plate (1)**. Place a **Pegged Connector (12)** in each of the holes.



- 1B.** Gently insert/connect each of the plates into each other and use a screw driver to fasten them together using the enclosed **Fasten Screw (8)**.

After all points have been fastened with a **Fasten Screw (8)** place a **Screw Cap (9)** over it.

- 1C.** Turn the **Vanity Base (11)** upside down and insert the required **Pegged Connector (12)** in the bottom of the **Vanity Base (11)** within its designated holes.

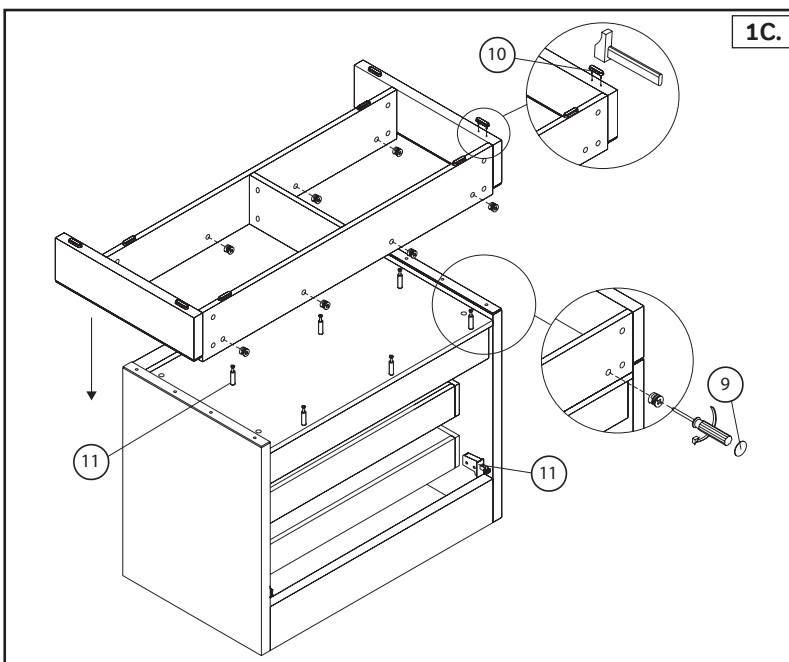
Take assembled kickplate and rotate it like it is displayed in **Diagram 1C**, and ease it down with the **Back Plate (2)** flush with the back of the **Vanity Base (11)**. Guide the kickplate with the **Wooden Peg (6)** and **Pegged Connectors (12)** into the pre drilled holes in the **Vanity Base (11)**.

Hammer in the **Floor Protector (10)** onto the marked positions in **Diagram 1C**.

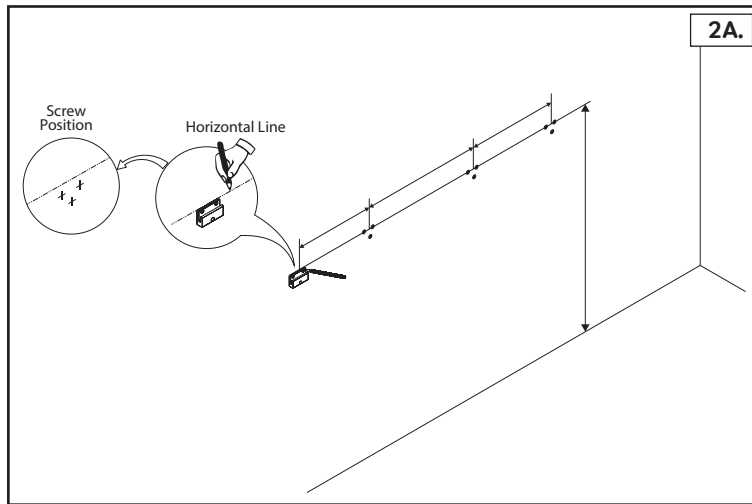
Insert the **Fasten Screw (8)** within each designed predrilled hole in the kickplate that correlate to a **Vanity Base (11)** installed **Pegged Connector (12)** and ensure they are fastened tightly.

Cap with a **Screw Cap (9)**.

With the assistance of another person, gently flip the vanity right side up.



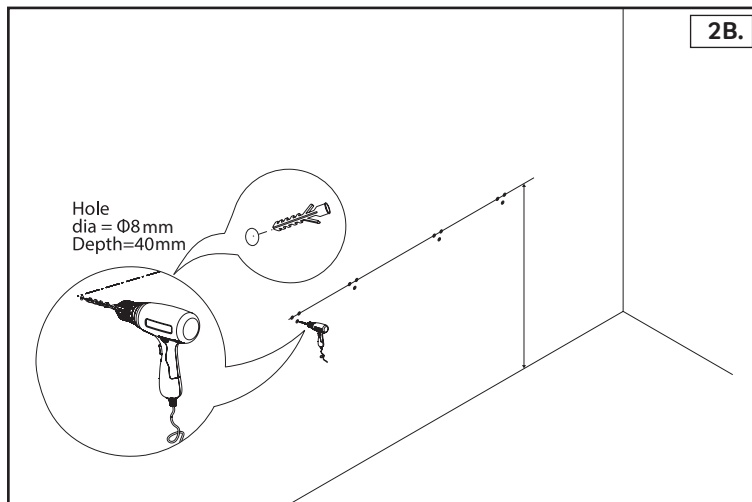
Wall Bracket Installation



- 3A. Line the **Vanity Base (11)** after the kickplate has been installed up to the wall and draw a horizontal line from end to end. Remove the **Vanity Base (11)** from the wall and place the **Wall Bracket (13)** against built in wall bracket of the **Vanity Base (11)**.

Please Note, the built in wall brackets on the **Vanity Base (11)** can be identified by their hard plastic shell with two holes with screws in the back and a hook towards the wall. The top screw can be used to level the hook and the bottom one is to tighten. See **Diagram 2C**.

Measure exactly the distance from the top of the base to the wall bracket and mark that distance for drilling on the wall.



- 3B. Drill the marked holes and then install the **Wall Bracket (13)** into the wall.

- 3C. Slide the **Vanity Base (11)** back against the wall and lift the wall side up and atop the wall bracket that was just installed.

Do the required adjustments to the built in wall bracket of **Vanity Base (11)** to adjust it grip to the installed **Wall Bracket (13)**.

Place your countertop on it and use the countertop leveling screws on the **Vanity Base (11)** to ensure a perfectly level countertop.

