

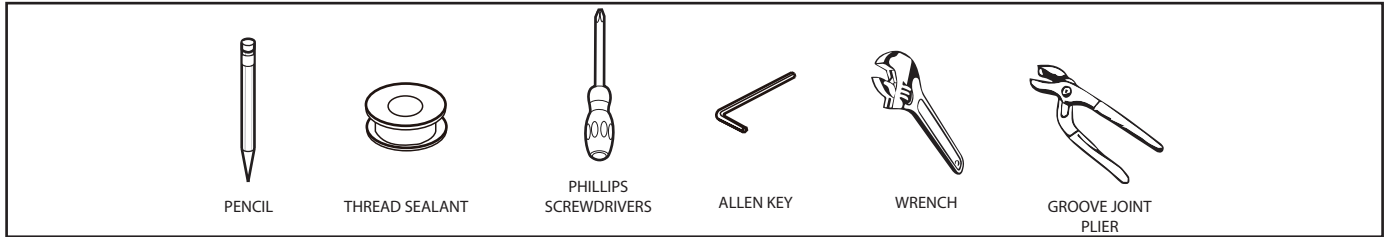
Dax Single Lever Lavatory Faucet

Installation Manual

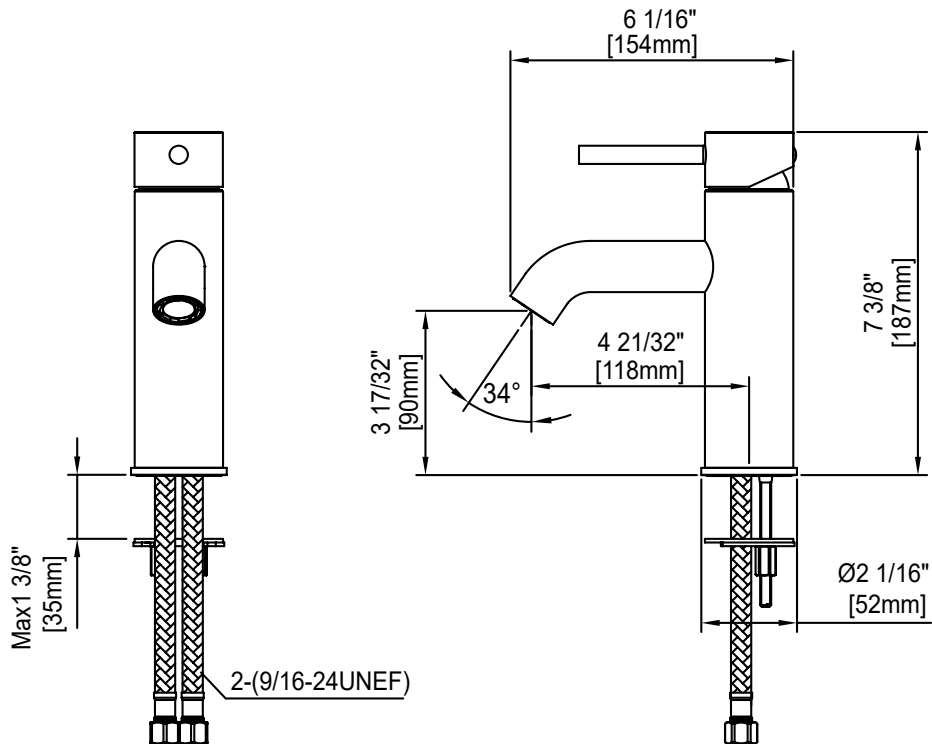


Please read notices on following page

Materials and Tools Required



Important Measurements



GENERAL INSTRUCTIONS

- Read this guide carefully and completely before proceeding.
- It is recommended that you wear safety glasses during the installation.

NOTICE

- For best results, we recommend that a licensed, professional plumber installs this unit.
- Please read over these instructions thoroughly before beginning installation.
- Make sure that you have all tools and supplies needed to complete the installation.
- Please check local building code.
- Keep receipts (proof of purchase and place of purchase) for this product. The receipt is required should it be necessary to request warranty parts.

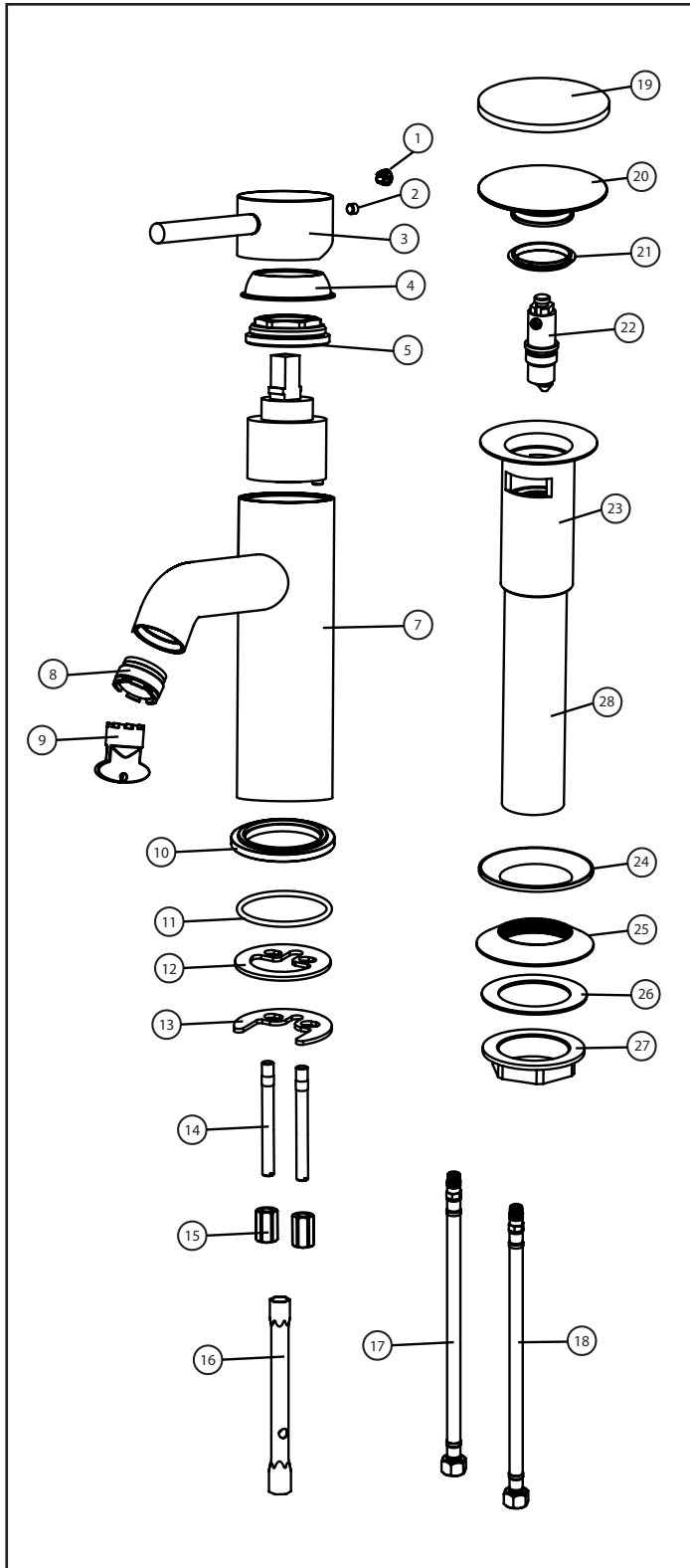
MAINTENANCE & CARE FOR YOUR VIDA PRODUCTS

- To clean your faucet or accessory, when necessary, wash with a nonabrasive wet soapy cloth. Then wipe dry with a soft towel or cloth.
- Do not use any abrasive chemical or corrosive powders, detergents, window cleaners, disinfectants or any other strong cleaners on your Product as they will destroy the finish and therefore void the warranty

IMPORTANT INFORMATION

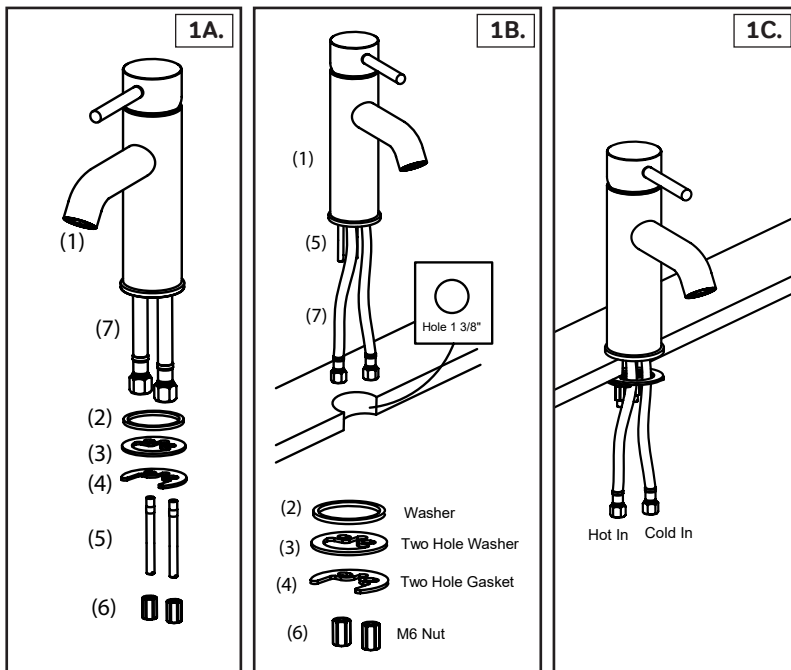
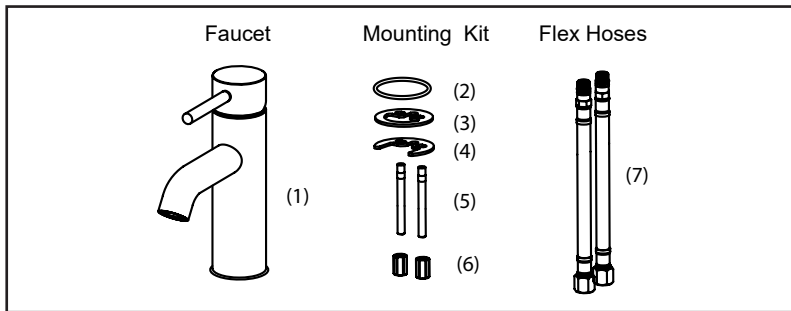
- Always turn the water supply off before removing the existing faucet or disassembling a faucet.
- Ensure the water has been turned off.

Parts List



ITEM	DESCRIPTION	SKU	QTY
1	Set Screw Cap		1
2	Set Screw		1
3	Handle		1
4	Decorative Cover		1
5	Retaining Nut		1
6	Cartridge		1
7	Faucet Body		1
8	Aerator		1
9	Aerator Key		1
10	Base		1
11	O-Ring		1
12	Two Hole Washer		1
13	Two Hole Gasket		1
14	Fixing Rod		2
15	Nut		2
16	Sleeve Spanner		1
17	Flex Hose		1
18	Flex Hose		1
19	Guard Cover		1
20	Decorative Cover		1
21	Pop Up Seal		1
22	Pop Up Switch		1
23	Pop Up Drain		1
24	Seal Washer		1
25	Washer		1
26	Washer		1
27	Fixing Nut		1
28	Tail Piece		1

Faucet Installation



ATTENTION!

TIGHTEN HOSES BY HAND ONLY

1A. Remove the mounting kit below the **Faucet (1)**

If Not already attached, attach both flex hoses to the faucet (**hand tighten only**).

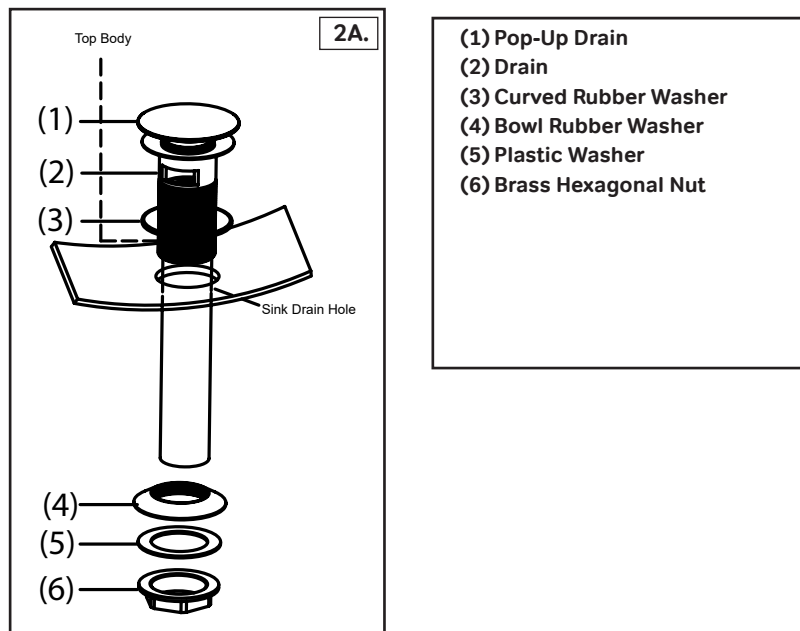
1B. Insert **Flex Hoses (7)** through the hole of your sink or countertop, then place the faucet inserting the threaded end in your sink or countertop.

Insert the **Washer (2)**, the **Two-Hole Washer (3)**, the **Two-Hole Gasket (4)** and secure the **Faucet (1)** with the **Fixing Bolt (5)** and **M6 Nut (6)**,

1C. Connect the hot and water hoses to the inlet shut off valves.

- (1) Faucet
- (2) Washer
- (3) Two-Hole Washer
- (4) Two-Hole Gasket
- (5) Fixing Bolt
- (6) M6 Nut
- (7) Flex Hoses

Drain Installation



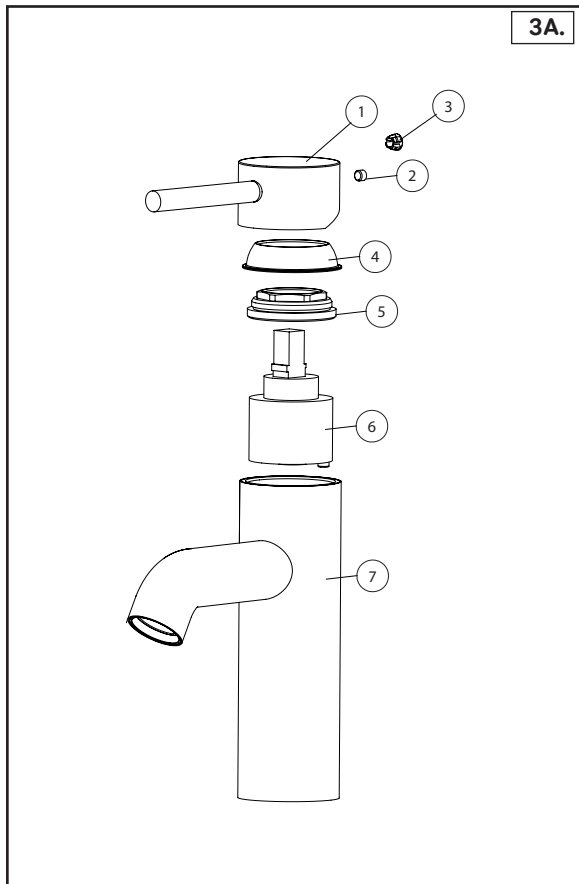
2A. Unscrew the **Drain (2)** and remove the **Brass Hexagonal Nut (6)**, and the **Plastic Washer (5)**.

Insert the top body of the drain: **Pop-Up Drain (1)**, **Drain (2)**, **Curved Rubber Washer (3)** into the hole of the sink.

Reinsert the **Curved Rubber Washer (4)** and the **Brass Hexagonal Nut (6)** below the sink.

Tighten firmly without putting pressure on the sink.

Cartridge Repacement



3A.

3A. Shut off the water supply lines and then pull **Handle (1)** to turn the water on so it drains the **Faucet (7)**.

To replace the **Cartridge (6)** remove the **Indicator Cap (3)** that covers the **Set Screw (2)** and loosen the **Set Screw (2)**.

Pull the **Handle (1)** off the **Faucet (7)**.

Gently, untighten the **Decorative Cover (4)** covering the **Retaining Nut (5)**, and then unscrew the **Retaining Nut (5)** which holds the **Cartridge (6)** into place.

Note the Orientation of the old cartridge, to place a new cartridge in the same position.

Pull the old **Cartridge (6)** out and replace with a new one. Align the bottom pins on the Cartridge to fit into holes in the **Faucet (7)**.

- (1) Handle
- (2) Fixing Screw
- (3) Indicator Cap
- (4) Decorative Cover
- (5) Cartridge Nut
- (6) Cartridge
- (7) Main Body