

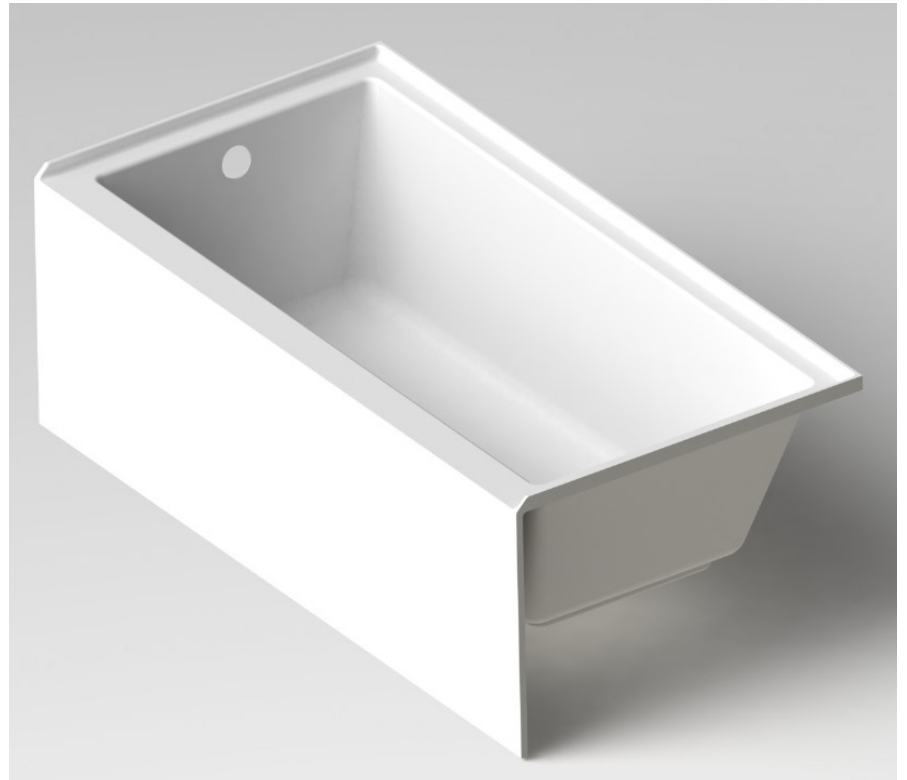


# Vida

## ICARUS

Alcove Bathtub AFR

VTIC60(30/32)A(L/R)-10



# Installation Manual

Please read notices on following page



**TWO PERSONS  
REQUIRED**

Version: 2.1.0

Dimensions of fixtures are approximate and may vary  $\pm 6\text{mm}$  (1/4"). Structure measurements must be verified against the unit to ensure proper fit.  
PRODUCT SPECIFICATIONS ARE SUBJECT TO CHANGE WITHOUT NOTICE.



# Vida

## ICARUS

Alcove Bathtub AFR

VTIC60(30/32)A(L/R)-10

## MATERIALS AND TOOLS REQUIRED

### GENERAL INSTRUCTIONS

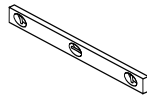
- Read this guide carefully and completely before proceeding.
- It is recommended that you wear safety glasses during the installation.

### NOTICE

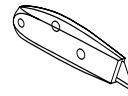
- For best results, we recommend that a licensed, professional plumber installs this unit.
- Please read over these instructions thoroughly before beginning installation.
- Make sure that you have all tools and supplies needed to complete the installation.
- Please check local building code.
- Keep receipts (proof of purchase and place of purchase) for this product. The receipt is required should it be necessary to request warranty parts.

### MAINTENACE & CARE

- For best results, we recommend that a licensed, professional plumber installs this unit.
- Do not use any abrasive chemical or corrosive powders, detergents, window cleans, disinfectants or any other strong cleaners on your product as they will destroy the finished and therefore void the warranty.



Level



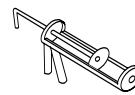
Utility Knife



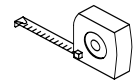
Round Head Screws 1 1/4"



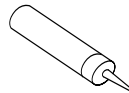
Drill



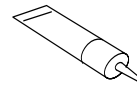
Caulking Gun



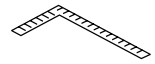
Tape Measure



Adhesive



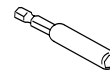
Sealant



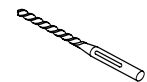
Square



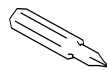
V-notched Trowel (1/4")



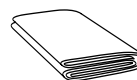
Extension Bit Holder



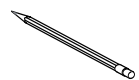
Drill Bit 3/16"



Phillips Bit



Drop Cloth



Pencil



# Vida

## ICARUS

Alcove Bathtub AFR

VTIC60(30/32)A(L/R)-10

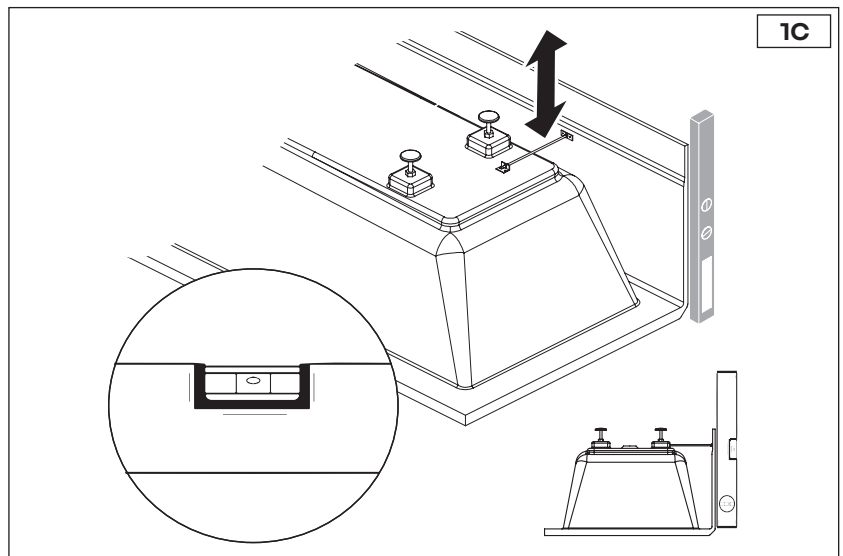
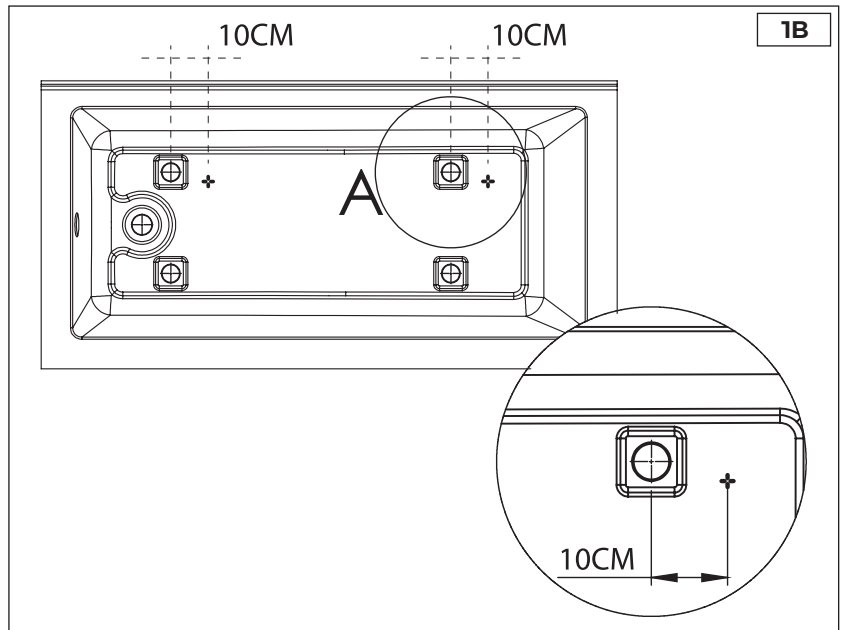
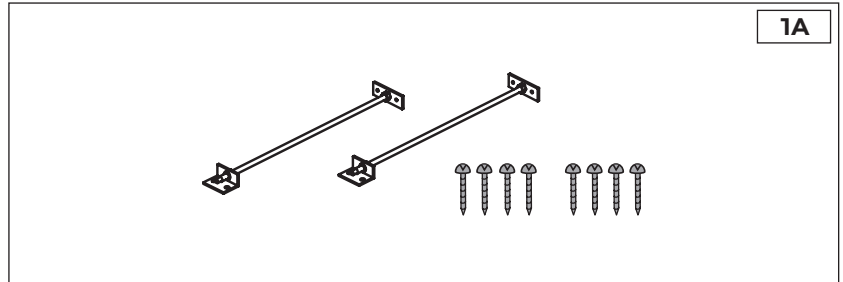
### ATTENTION!

Install Skirt/apron support brackets before installing bathtub in alcove.

Flip the skirted bathtub upside down. Be sure to set on a soft surface that will not scratch the finished surface of the tub.

### INSTALLING SUPPORT BRACKETS

- 1A.** Remove and check for the alcove apron brackets ( x 2) and Screws ( x 8).
  - 1B.** Measure 10 cm from the bath leg to identify the position of support bar.
  - 1C.** Layout the support bars. insert the short end of the support bar into the bracket on the unfinished side of the the tub skirt. (Arrow is pointing to the top of the tub)
- Use a level or carpenter's square to make sure the finished side of the skirt is vertical to the ground.





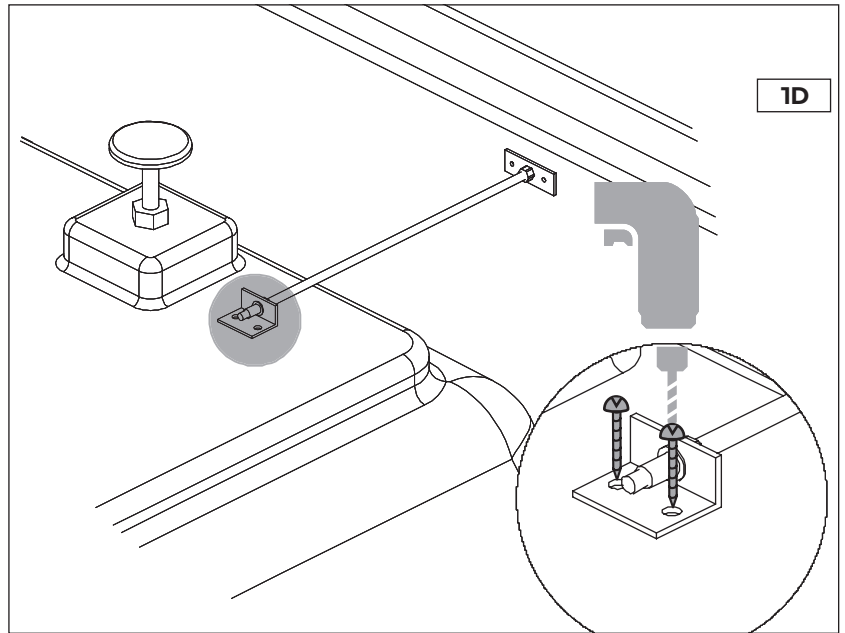
# Vida

## ICARUS

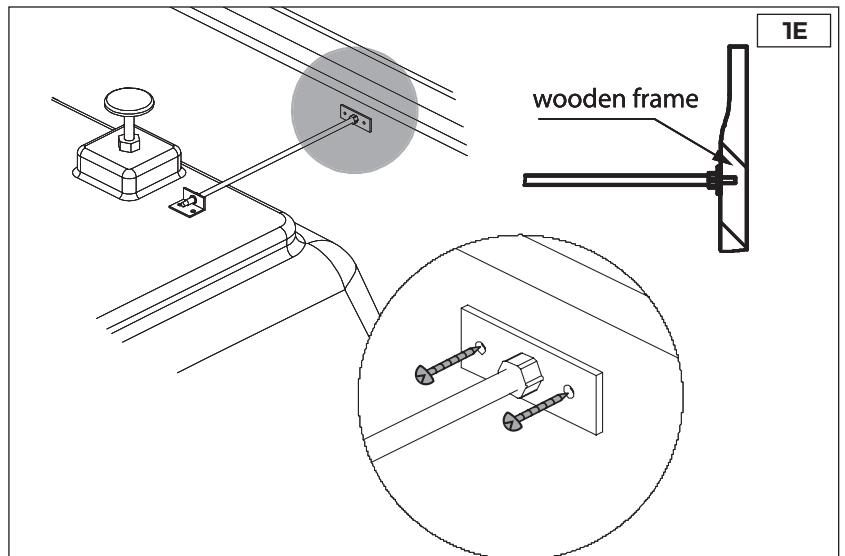
Alcove Bathtub AFR

VTIC60(30/32)A(L/R)-10

- 1D.** With the apron vertical to the ground, fix the support bracket with the 2 delivered screws into the bracket support base (Reinforced base board on the bottom of the tub).



- 1E.** With the apron vertical to the skirt, fix the support bracket with the 2 delivered screws into the reinforced skirt part.





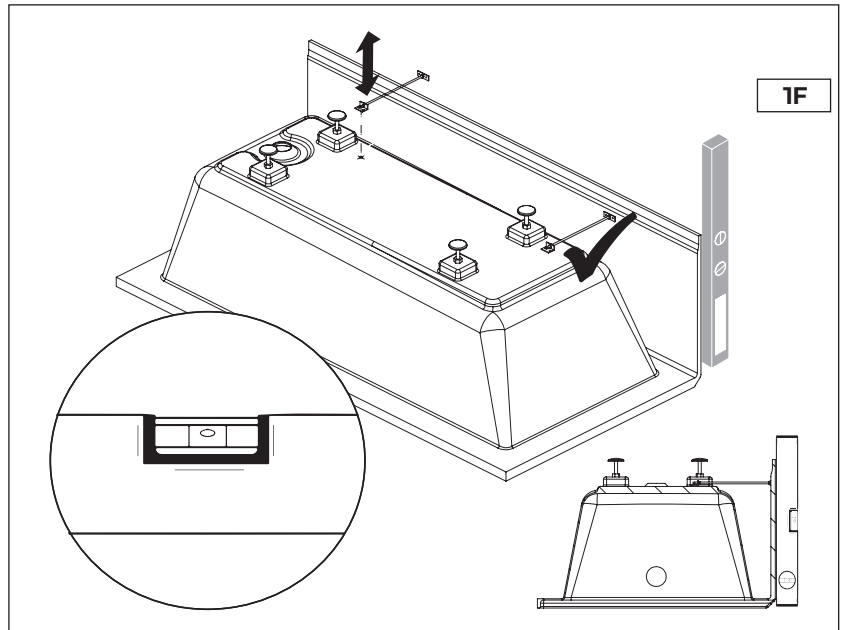
# Vida

## ICARUS

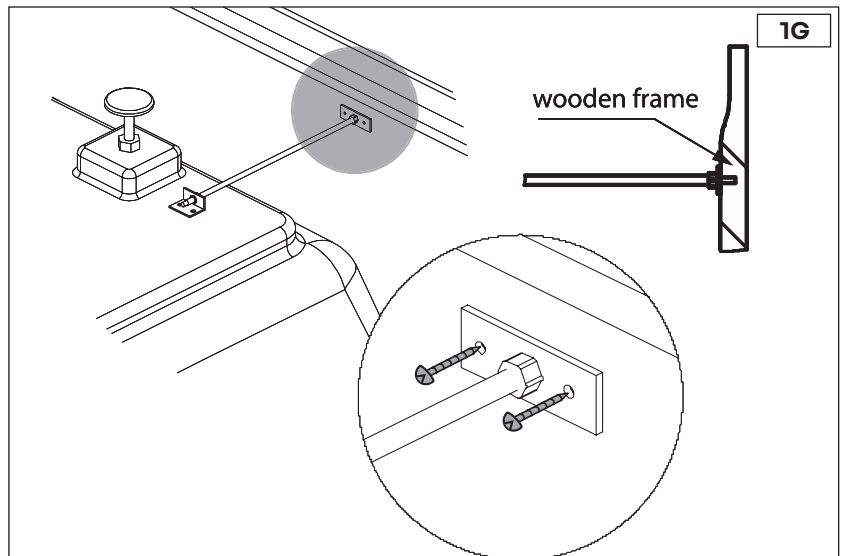
Alcove Bathtub AFR

VTIC60(30/32)A(L/R)-10

**1F.** With the apron vertical to the ground, fix the support bracket with the 2 delivered screws into the bracket support base (Reinforced base board on the bottom of the tub).



**1G.** Once all two support brackets are installed follow the skirted alcove bathtub installation guide to complete the remainder of the installation.





# Vida

## ICARUS

Alcove Bathtub AFR

VTIC60(30/32)A(L/R)-10

**ATTENTION!**

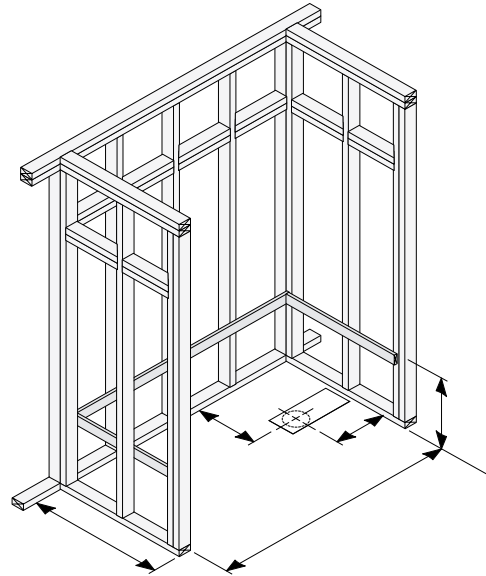
**REMOVE ANY OBSTRUCTIONS**

### PREPARATION & FRAMING

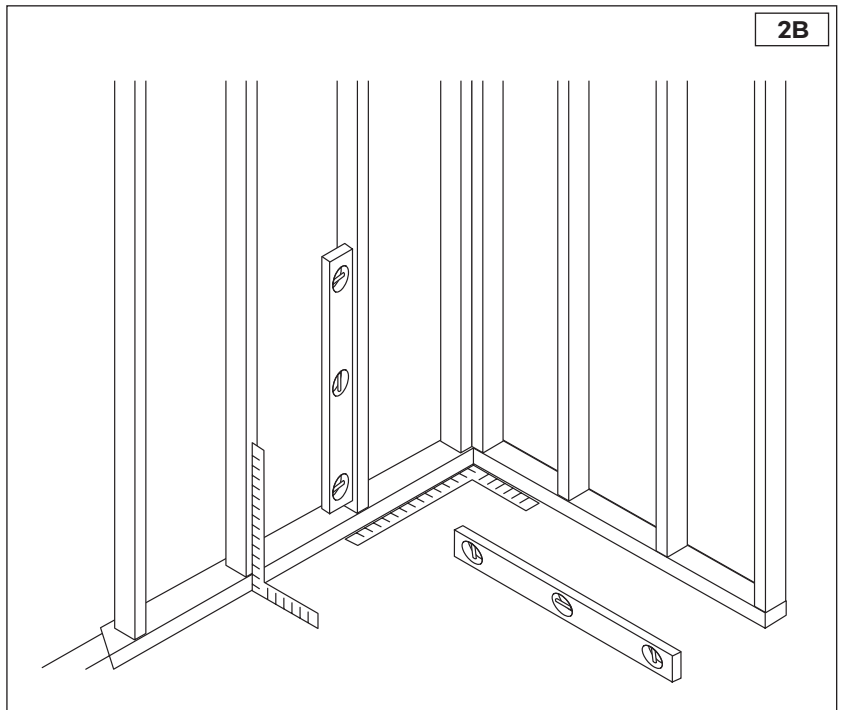
**2A.** Construct the alcove in accordance with your bathtub dimensions.

**2B.** Make sure the studs are straight and square

2A



2B



**ATTENTION!**

**Pictures for reference only. For actual measurements, refer to the product's specification sheet.**



# Vida

## ICARUS

Alcove Bathtub AFR

VTIC60(30/32)A(L/R)-10

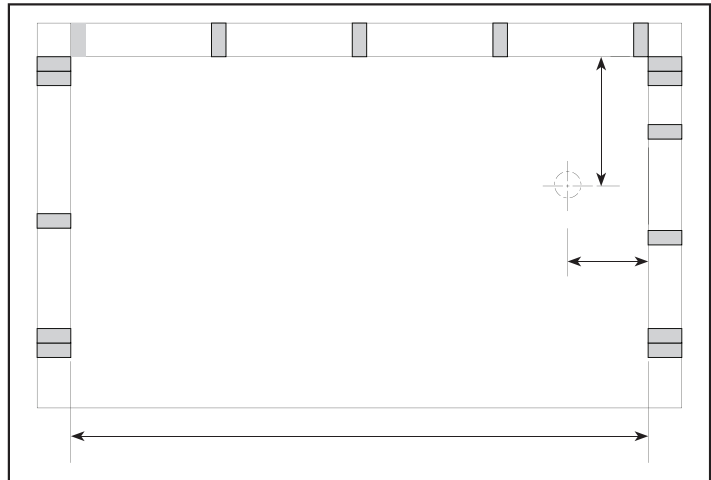
**ATTENTION!**

**REMOVE ANY OBSTRUCTIONS**

### POSITIONING BATHTUB

- 3A.** After carefully verifying the drain location on the floor. Prepare floor rough-in accordingly.

3A



**ATTENTION!**

**Pictures for reference only. For actual measurements, refer to the product's specification sheet.**



# Vida

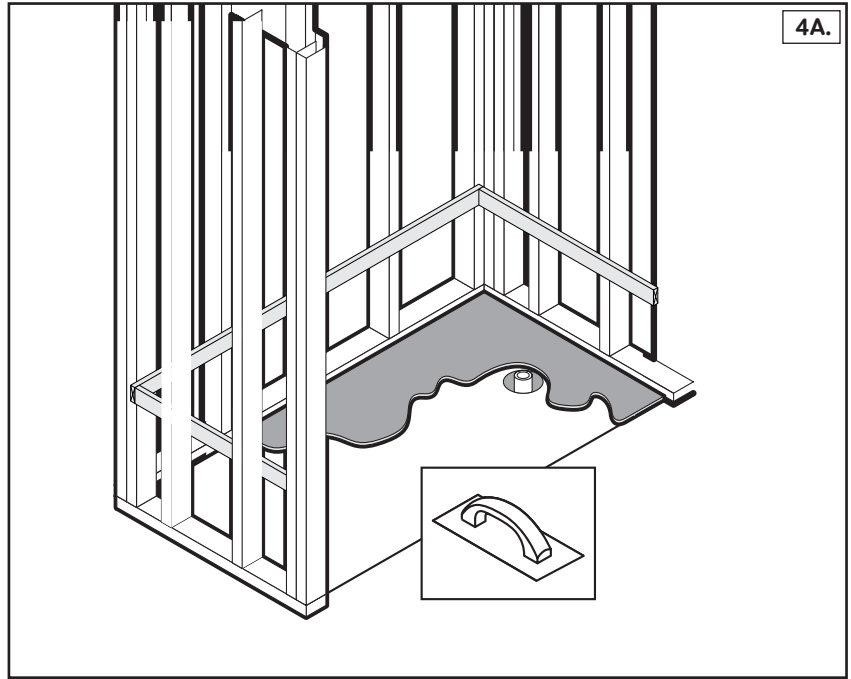
## ICARUS

Alcove Bathtub AFR

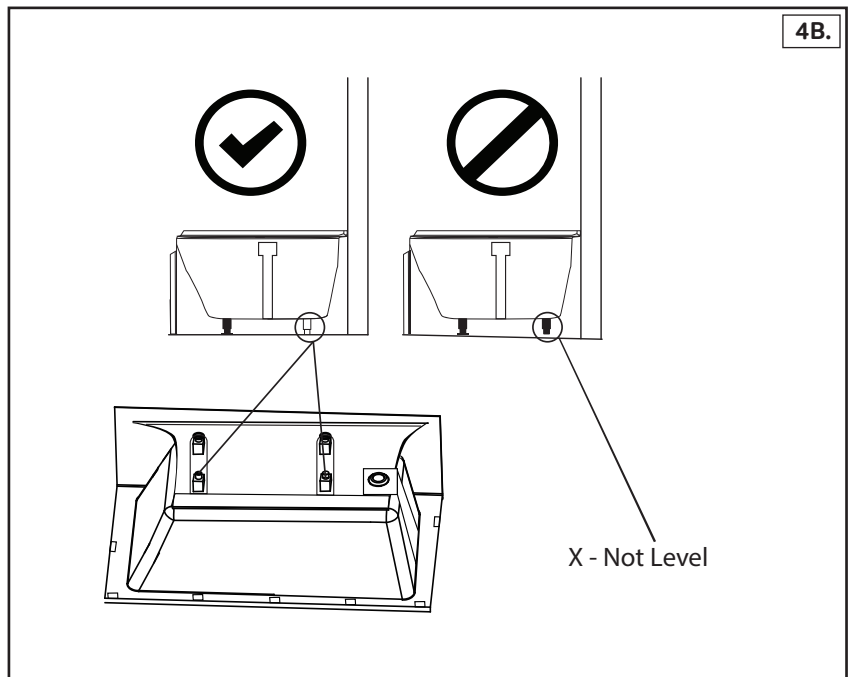
VTIC60(30/32)A(L/R)-10

### BATHTUB INSTALLATION

**4A.** If the floor is not flat or level, it is recommended to deposit a mortar bed where the base will be positioned.



**4B.** Make sure all the legs of the tub are entirely touch the floor. If not, adjust them or set the level or use a mortar bed for proper installation.



### ATTENTION!

**The bath tub must primarily be supported by the tubs feet on the floor**





# Vida

## ICARUS

Alcove Bathtub AFR

VTIC60(30/32)A(L/R)-10

### LEVELING THE BATHTUB

- 5A.** Use a level and a bracket to make sure that the bathtub is straight and perpendicular.

### ATTENTION!

Bathtub bottom must be in contact with a perfectly straight and level surface.

### SECURING THE BATHTUB

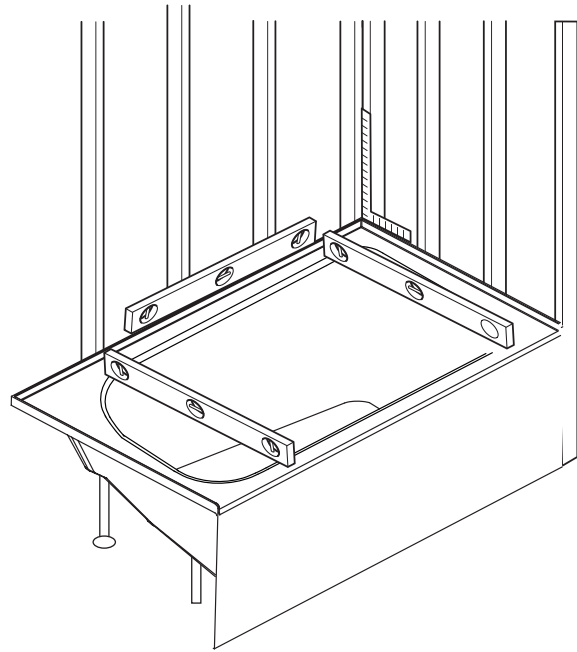
- 6A.** Install the drain/Overflow assembly onto the bathtub.

- 6B.** Apply construction adhesive along the top of the horizontal support stud.

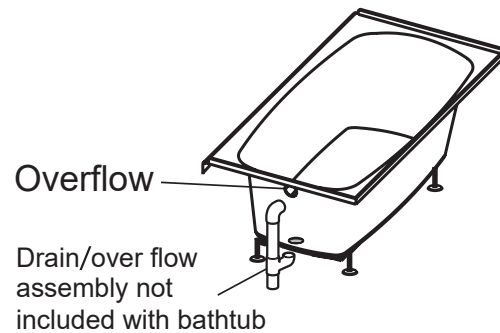
### ATTENTION!

Tiling Flange is not designed to carry the weight of the bathtub.

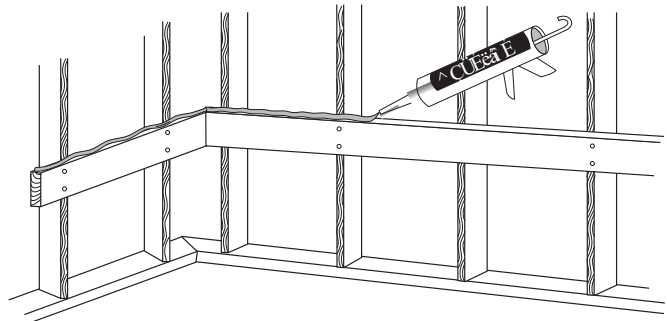
5A.



6A.



6B.





# Vida

## ICARUS

Alcove Bathtub AFR

VTIC60(30/32)A(L/R)-10

**6C.** Apply Silicone under the bathtub's legs to attach to the floor and reduce the risk of squeaks.

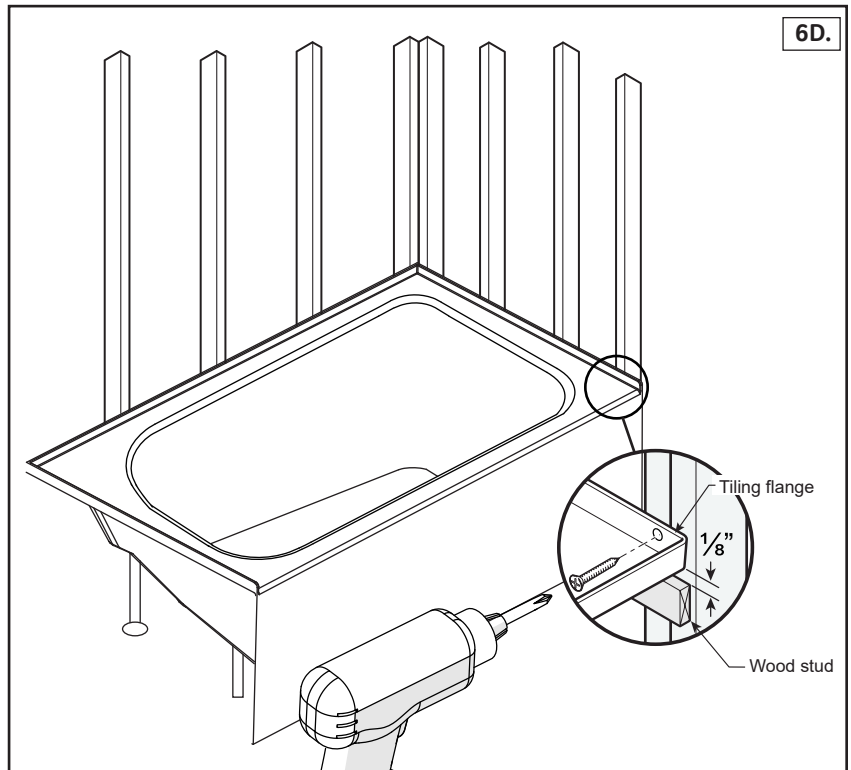
**6D.** Put the bathtub in place and fix it against the vertical studs.

**6C.**

Pencil outline of feet



**6D.**



### ATTENTION!

**Tiling Flange is not designed to carry the weight of the bathtub.**



# Vida

## ICARUS

Alcove Bathtub AFR

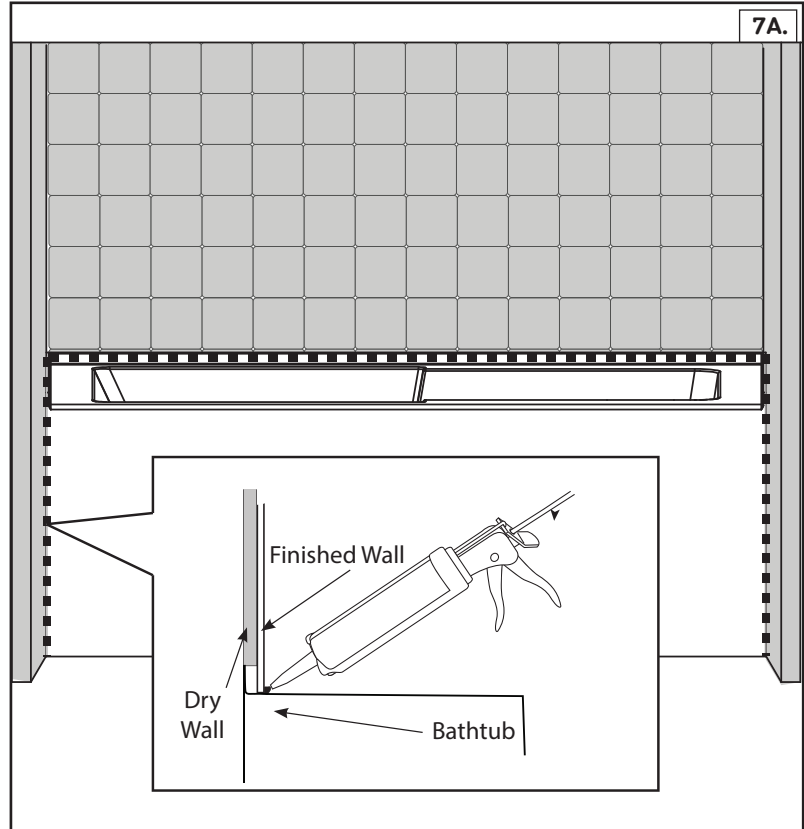
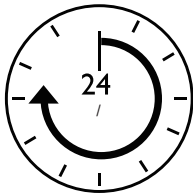
VTIC60(30/32)A(L/R)-10

### SILCONING THE BATHTUB

**7A.** Apply 100% silicon sealer to any gaps in the corners and seal the joint between the bathtub and the wall finish.

### ATTENTION!

Allow the sealant to dry for at least 24 hours.



### CORRECT INSTALLATION

1. Framing
2. Dry Wall
3. Finished Wall
4. Sealant
5. Bathtub
6. Integrated Tile Flange

