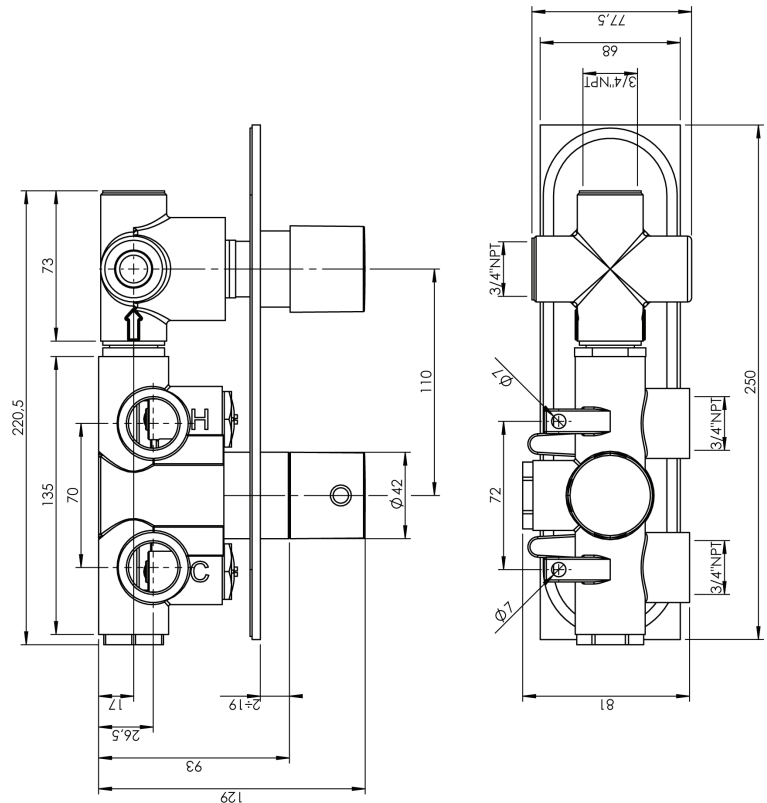


#om021

3/4" Thermostatic with 2 way diverter



Can add independent flow control
Integrated service stops, filters & back-flow preventers
Rough-in can be mounted horizontally or vertically
12 GPM (45.4 L/min.)

