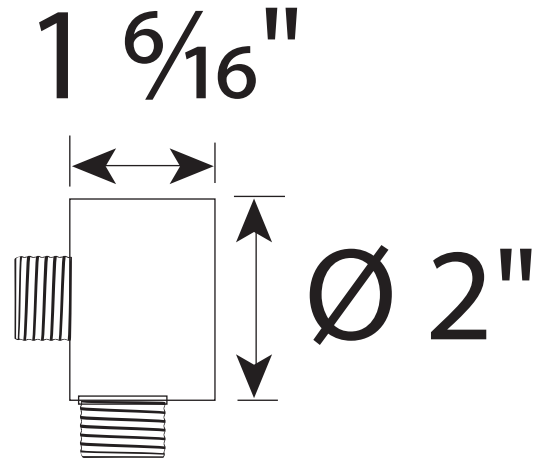




UNITY

Wall Union

USC535



DESCRIPTION

- Round Design

AVAILABLE FINISHES

- Chrome
- Matte Black

ADDITIONAL NOTES

- Includes (1/2 G | 1/2" NPT) Nipple

Dimensions of fixtures are approximate and may vary $\pm 6\text{mm}$ (1/4"). Structure measurements must be verified against the unit to ensure proper fit.