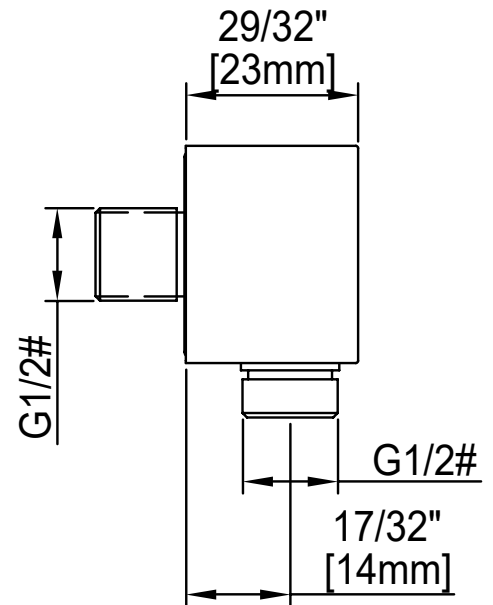
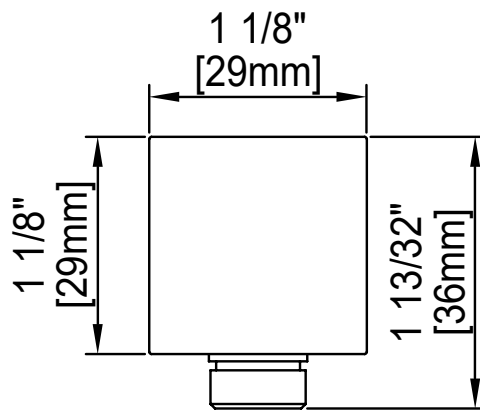




UNITY

Wall Union

USC536



DESCRIPTION

- Square Design

AVAILABLE FINISHES

- Chrome
- Matte Black

ADDITIONAL NOTES

- Includes (1/2 G | 1/2" NPT) Nipple

Dimensions of fixtures are approximate and may vary  $\pm 6\text{mm}$  (1/4"). Structure measurements must be verified against the unit to ensure proper fit.