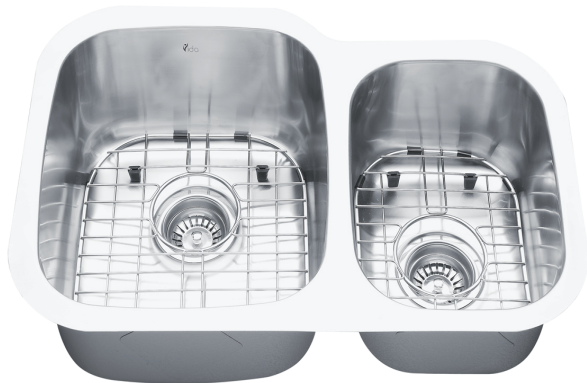




27" Axes

V20164

Undermount Sinks



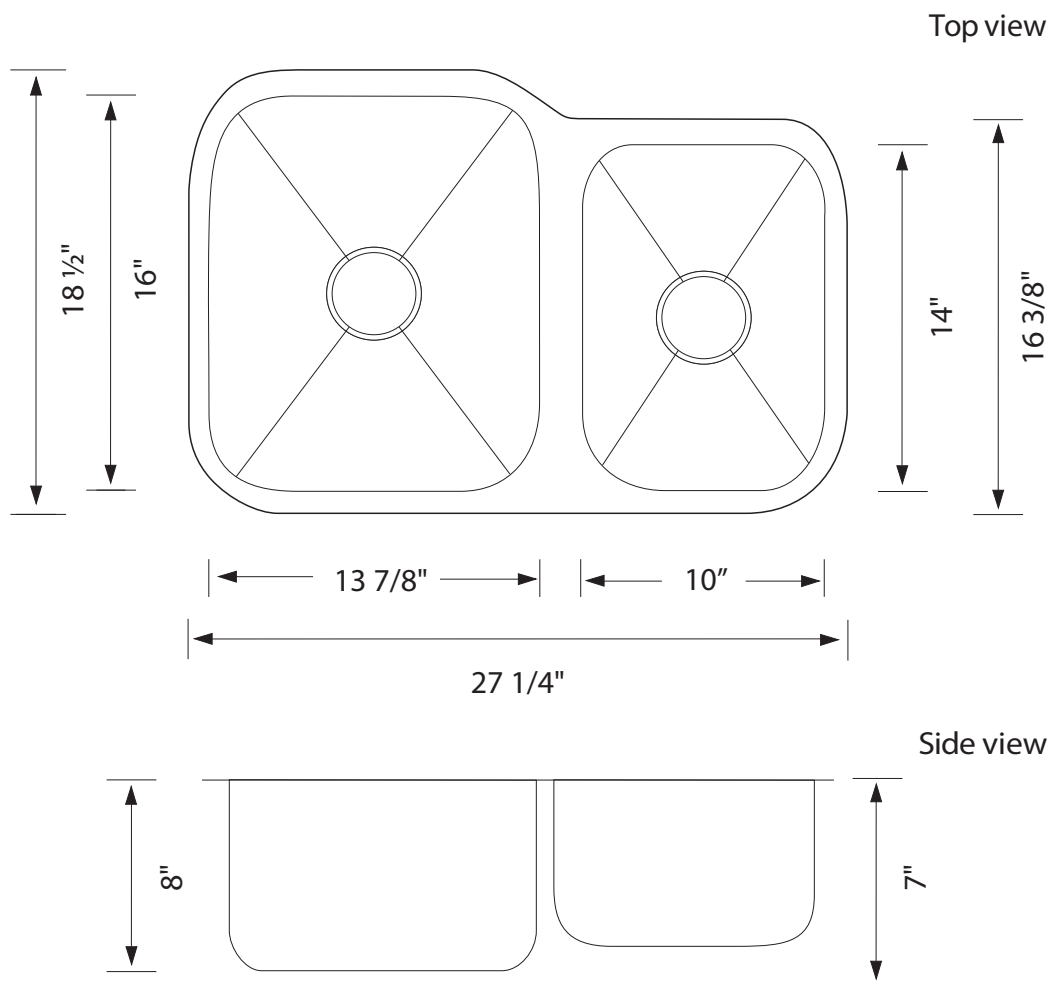
FEATURES

- 16 Gauge Stainless Steel
- Square Shape, Radius Corners
- 1 3/4 Bowl Sink
- Includes Strainer (2)

REQUIRED FOR INSTALLATION

*

L. 27 1/4" x W. 18 1/2" x H. 8"



Dimensions of fixtures are approximate and may vary $\pm 6\text{mm}$ (1/4"). Structure measurements must be verified against the unit to ensure proper fit.