



SERIES

Dax

DESCRIPTION

Faucet

- Single Hole Faucet

DIMENSIONS

- Width: 2 1/16"
- Depth: 6 1/16"
- Height: 7 3/8"

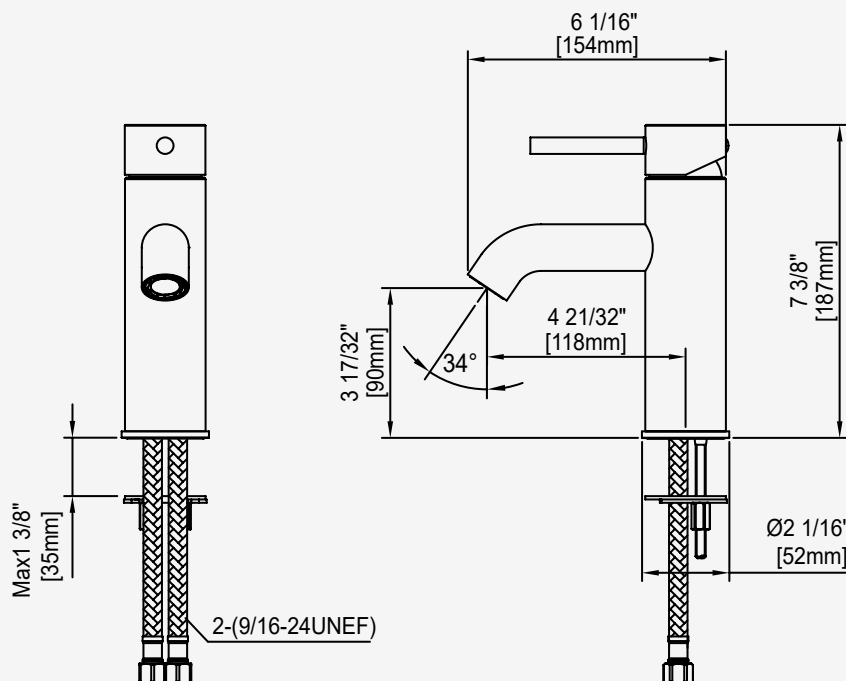
Available Finishes

- Chrome
- Matte Black



FRONT VIEW

SIDE VIEW



Dimensions of fixtures are approximate and may vary $\pm 6\text{mm}$ (1/4"). Structure measurements must be verified against the unit to ensure proper fit.

VF4514